



LAMP ALETAIR

**OUTDOOR / MODEL WIND
MODEL CYCLONE**

Who would say that through a blade from a windmill could be obtained much of the urban and domestic furniture?

SOSTYL AIR[®]

GIVE A SECOND LIFE TO THE SO CALLED EVIL WASTE OF ENERGY WIND POWER FOR ITS RECONVERSION INTO A WIDE RANGE OF PRODUCTS LIKE,

BENCHES, FLOWERPOTS, TABLES, CHAIRS, LAMPS...

ECOLOGICAL AND SUSTAINABLE



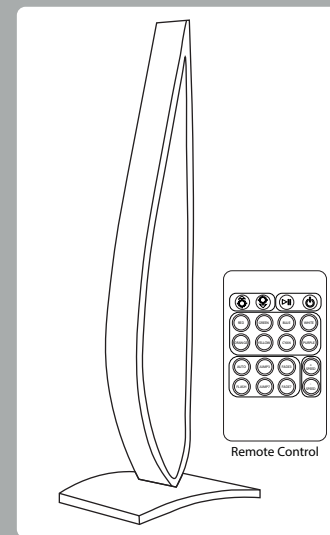
DESCRIPTION: Design lamp in the shape of a fin. For indoor or outdoor (with a special finish to withstand the weather). The dimmable colored led can be used by remote control to create the right lighting for every mood.

Measures* (model WIND):
Height 100 to 110 cm
Width 10 to 15 cm
Length 12 to 20 cm

Measures* (model CYCLONE):
Height 120 to 160 cm
Width 15 to 120 cm
Length 20 to 40 cm

Approximate measurements

Colour: The basic presentation is in white or black. The customer can request the exterior colour according to their needs or tastes with an extra charge of 25€. In the case of ordering more than 5 units, the custom colour will be free of charge. The inside of the lamp has a multicolour RGB LED bulb, with remote control, providing a wide range of tones for different atmospheres.



*There is the option of customised measurements

Ventos Metódicos Reciclagem LDA.
Polígono Industrial da Lagoa. Rua das Cruzes, 484
4950-850 Monção. Portugal

info@sostylair.eu

Telefone: +34 62686 86 30



Lamp ALETAIR

OUTDOOR



REF: 0001

Measures*

Model WIND

Height: 100 to 110 cm
Width: 10 to 15 cm
Length: 12 to 20 cm

Model CICLONE

Height: 120 to 160 cm
Width: 15 to 20 cm
Length: 20 to 40 cm

Weight

10 - 20 Kg

Paint Temperature

Max. 85°C

Electrical Power

Supply voltage

- 230 Volts
- 50 HZ

LED

- 12 Volts

Color

White
Black
Customised

Content

1 Lamp Aletair

Packaging Measures

Height: 100 to 160 cm
Width: 10 to 20 cm
Length: 12 to 40 cm

Warranty

2 Years

*Approximate measurements

Made with recycled materials. 95% sustainable.



Poligono Industrial da Lagoa
Rua das Cruzes, n° 484
4950-850 Monção
Portugal

www.ventosmetodicos.com
+351 258 099 691





LAMP ALETAIR

**INDOOR / MODEL WIND
MODEL CYCLONE**

Who would say that through a blade from a windmill could be obtained much of the urban and domestic furniture?

SOSTYL AIR®

GIVE A SECOND LIFE TO THE SO CALLED EVIL WASTE OF ENERGY WIND POWER FOR ITS RECONVERSION INTO A WIDE RANGE OF PRODUCTS LIKE,

BENCHES, FLOWERPOTS, TABLES, CHAIRS, LAMPS...

ECOLOGICAL AND SUSTAINABLE



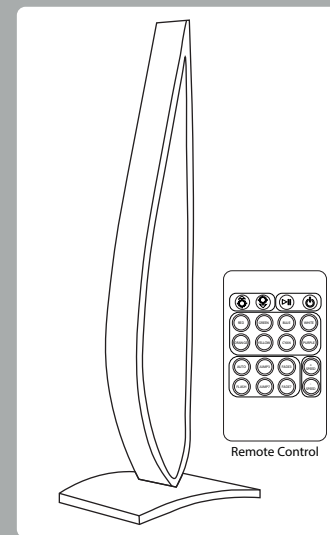
DESCRIPTION: Design lamp in the shape of a fin. For indoor or outdoor (with a special finish to withstand the weather). The dimmable colored led can be used by remote control to create the right lighting for every mood.

Measures* (model WIND):
Height 100 to 110 cm
Width 10 to 15 cm
Length 12 to 20 cm

Measures* (model CYCLONE):
Height 120 to 160 cm
Width 15 to 120 cm
Length 20 to 40 cm

Approximate measurements

Colour: The basic presentation is in white or black. The customer can request the exterior colour according to their needs or tastes with an extra charge of 25€. In the case of ordering more than 5 units, the custom colour will be free of charge. The inside of the lamp has a multicolour RGB LED bulb, with remote control, providing a wide range of tones for different atmospheres.



*There is the option of customised measurements

Ventos Metódicos Reciclagem LDA.
Polígono Industrial da Lagoa. Rua das Cruzes, 484
4950-850 Monção. Portugal

info@sostylair.eu

Teléfono: +34 62686 86 30



Lamp ALETAIR

INDOOR



REF: 0002

Measures *

Model WIND

Height: 100 to 110 cm
Width: 10 to 15 cm
Length: 12 to 20 cm

Model CICLONE

Height: 120 to 160 cm
Width: 15 to 20 cm
Length: 20 to 40 cm

Weight

10 - 20 Kg

Paint Temperature

Max. 65°C

Electrical Power

Supply voltage

- 230 Volts
- 50 HZ

LED

- 12 Volts

Color

White
Black
Customised

Content

1 Lamp Aletair

Packaging Measures

Height: 100 to 160 cm
Width: 10 to 20 cm
Length: 12 to 40 cm

Warranty

2 Years

*Approximate measurements

Made with recycled materials. 95% sustainable.



Poligono Industrial da Lagoa
Rua das Cruzes, n° 484
4950-850 Monção
Portugal

 www.ventosmetodicos.com
 +351 258 099 691





LAMP CEILING

OPEN

Who would say that through a blade from a windmill could be obtained much of the urban and domestic furniture?

SOSTYL AIR[®]

GIVE A SECOND LIFE TO THE SO CALLED EVIL WASTE OF ENERGY WIND POWER FOR ITS RECONVERSION INTO A WIDE RANGE OF PRODUCTS LIKE,

BENCHES, FLOWERPOTS, TABLES, CHAIRS, LAMPS...

ECOLOGICAL AND SUSTAINABLE

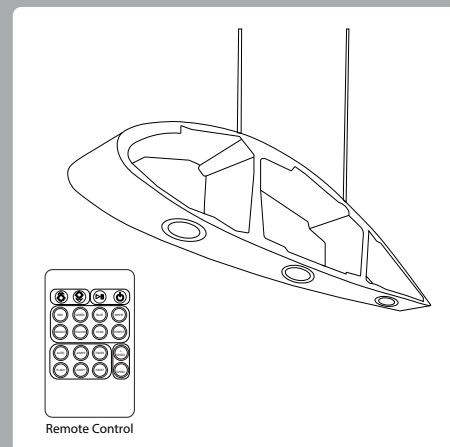


DESCRIPTION: Design lamp in the shape of a fin. For indoor use. The dimmable colored led can be used by remote control to create the right lighting for every mood.

Measures*:	Height	12 to 20 cm
	Width	10 to 15 cm
	Length	100 to 130 cm

Approximate measurements

Colour: Its basic presentation is in white or black. The customer can request the exterior colour according to their needs or tastes with an additional an extra charge of 25€. In the case of ordering more than 5 units, the customised colour would be free of charge. The inside of the lamp has a multicoloured RGB LED bulb, with remote control, providing a wide range of a wide range of tones for different atmospheres.



*There is the option of customised measurements

Ventos Metódicos Reciclagem LDA.
Polígono Industrial da Lagoa. Rua das Cruzes, 484
4950-850 Monção. Portugal

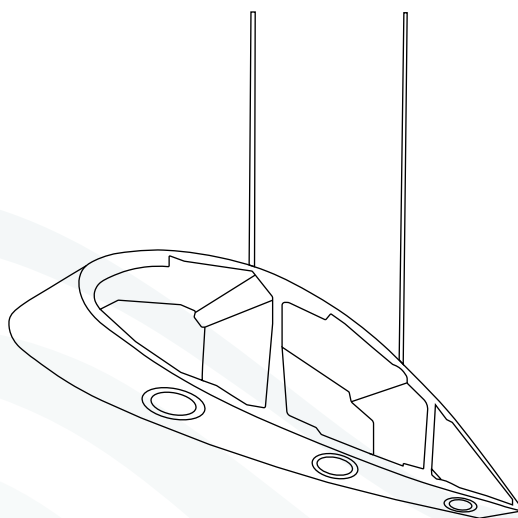
info@sostylair.eu

Telefone: +34 62686 86 30



Lamp CEILING

OPEN



REF: 0003

Measures*

Length: 100 to 130 cm
Width: 10 to 15 cm
Height: 12 to 20 cm

Weight

10 - 20 Kg

Paint Temperature

Max. 65°C

Electrical Power

Supply voltage

- 230 Volts
- 50 HZ

LED

- 12 Volts

Color

White
Black
Customised

Content

1 Lamp Ceiling

Packaging Measures

Length: 100 to 130 cm
Width: 10 to 15 cm
Height: 12 to 20 cm

Warranty

2 Years

*Approximate measurements

Made with recycled materials. 95% sustainable.



Polígono Industrial da Lagoa
Rua das Cruzes, nº 484
4950-850 Monção
Portugal

 www.ventosmetodicos.com
 +351 258 099 691





LAMP CEILING

CLOSE

Who would say that through a blade from a windmill could be obtained much of the urban and domestic furniture?

SOSTYL AIR[®]

GIVE A SECOND LIFE TO THE SO CALLED EVIL WASTE OF ENERGY WIND POWER FOR ITS RECONVERSION INTO A WIDE RANGE OF PRODUCTS LIKE,

BENCHES, FLOWERPOTS, TABLES, CHAIRS, LAMPS...

ECOLOGICAL AND SUSTAINABLE



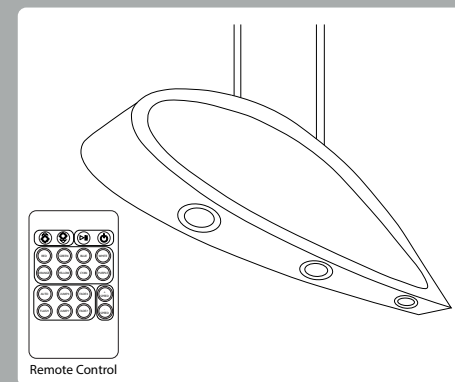
DESCRIPTION: Design lamp in the shape of a fin. For indoor use. The dimmable colored led can be used by remote control to create the right lighting for every mood.

Measures*:

Height	12 to 20 cm
Width	10 to 15 cm
Length	100 to 130 cm

Approximate measurements

Colour: Its basic presentation is in white or black. The customer can request the exterior colour according to their needs or tastes with an additional extra charge of 25€. In the case of ordering more than 5 units, the customised colour would be free of charge. The inside of the lamp has a multicoloured RGB LED bulb, with remote control, providing a wide range of a wide range of tones for different atmospheres.



*There is the option of customised measurements

Ventos Metódicos Reciclagem LDA.
Polígono Industrial da Lagoa. Rua das Cruzes, 484
4950-850 Monção. Portugal

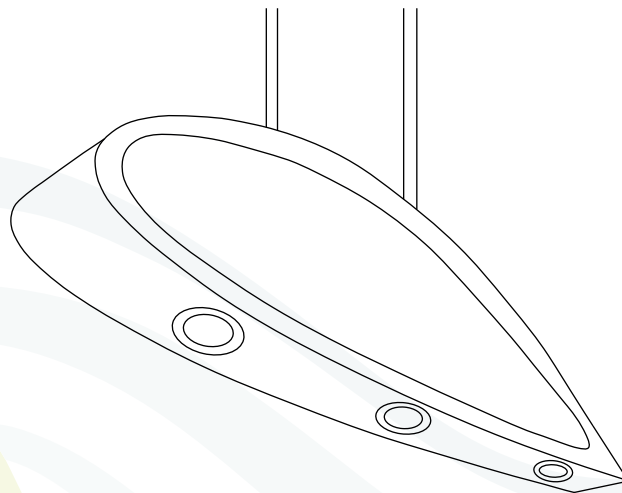
info@sostylair.eu

Teléfono: +34 62686 86 30



Lamp CEILING

CLOSE



REF: 0004

Measures*

Length: 100 to 130 cm
Width: 10 to 15 cm
Height: 12 to 20 cm

Weight

10 - 20 Kg

Paint Temperature

Max. 65°C

Electrical Power

Supply voltage

- 230 Volts
- 50 HZ

LED

- 12 Volts

Color

White
Black
Customised

Content

1 Lamp Ceiling

Packaging Measures

Length: 110 to 130 cm
Width: 10 to 15 cm
Height: 12 to 20 cm

Warranty

2 Years

*Approximate measurements

Made with recycled materials. 95% sustainable.



Poligono Industrial da Lagoa
Rua das Cruzes, n° 484
4950-850 Monção
Portugal

 www.ventosmetodicos.com
 +351 258 099 691





ALETAIR WALL

INDOOR

Who would say that through a blade from a windmill could be obtained much of the urban and domestic furniture?

SOSTYL AIR[®]

GIVE A SECOND LIFE TO THE SO CALLED EVIL WASTE OF ENERGY WIND POWER FOR ITS RECONVERSION INTO A WIDE RANGE OF PRODUCTS LIKE,

BENCHES, FLOWERPOTS, TABLES, CHAIRS, LAMPS...

ECOLOGICAL AND SUSTAINABLE

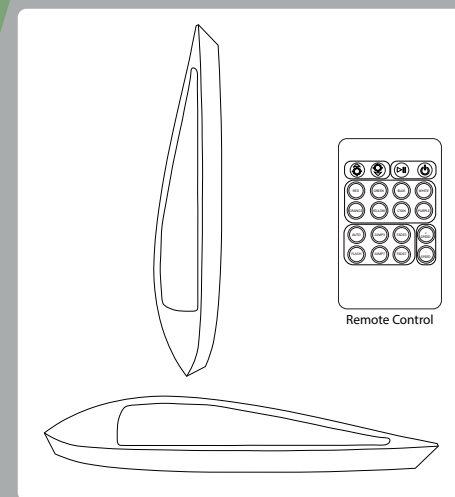


DESCRIPTION: Design lamp in the shape of a fin. For indoor or outdoor (with a special finish to withstand the weather). The dimmable colored led can be used by remote control to create the right lighting for every mood.

Measures*:

Height	12 to 20 cm
Width	10 to 15 cm
Length	100 to 130 cm
Approximate measurements	

Colour: The basic presentation is in white or black. The customer can request the exterior colour according to their needs or tastes with an extra charge of 25€. In the case of ordering more than 5 units, the custom colour will be free of charge. The inside of the lamp has a multicolour RGB LED bulb, with remote control, providing a wide range of tones for different atmospheres.



*There is the option of customised measurements

Ventos Metódicos Reciclagem LDA.
Polígono Industrial da Lagoa. Rua das Cruzes, 484
4950-850 Monção. Portugal

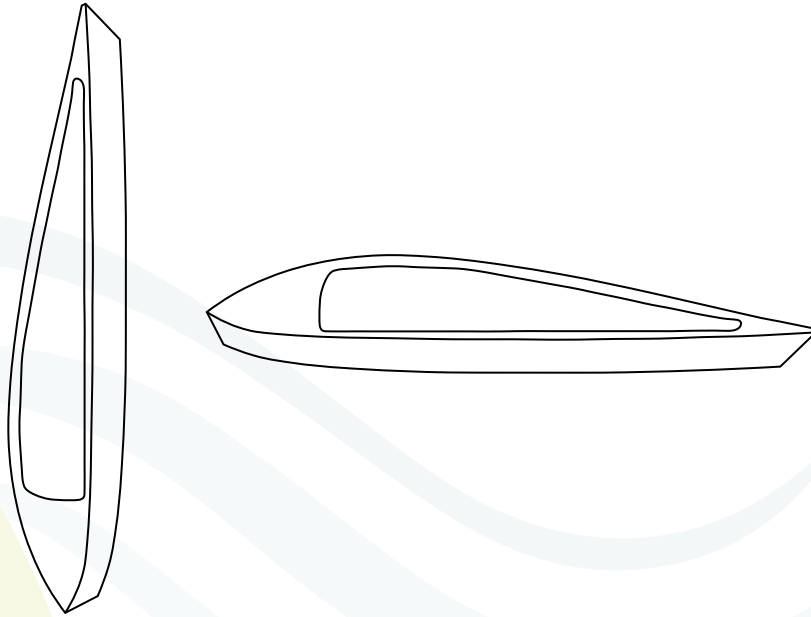
info@sostylair.eu

Telefone: +34 62686 86 30



Aletair WALL

INDOOR



REF: 0005

Measures*

Length: 100 to 130 cm
Width: 10 to 15 cm
Height: 12 to 20 cm

Weight

10 - 20 Kg

Paint Temperature

Max. 65°C

Electrical Power

Supply voltage

- 230 Volts
- 50 HZ

LED

- 12 Volts



Color

White
Black
Customised



Content

1 Aletair wall



Packaging Measures

Length: 100 to 130 cm
Width: 10 to 15 cm
Height: 12 to 20 cm



Warranty

2 Years

*Approximate measurements

Made with recycled materials. 95% sustainable.



Polígono Industrial da Lagoa
Rua das Cruzes, n° 484
4950-850 Monção
Portugal

 www.ventosmetodicos.com
 +351 258 099 691

