

soylair

Product Catalog





Our  
Product Catalog



# Contents

7

Vases

15

Benches

27

Tables

39

Office Desk

---

SOSTYLAIR IS DESIGN, INNOVATION  
AND SUSTAINABILITY.

Thanks to a pioneering technique  
in the waste management of  
windmill materials, windmill blades  
enjoy a useful second life,  
transformed into the pinnacle  
of urban, oce and domestic furniture.

Our main difference  
lies in the complete  
recycling of windmill blades.

43

Various

53

Shelfs

57

Chairs

61

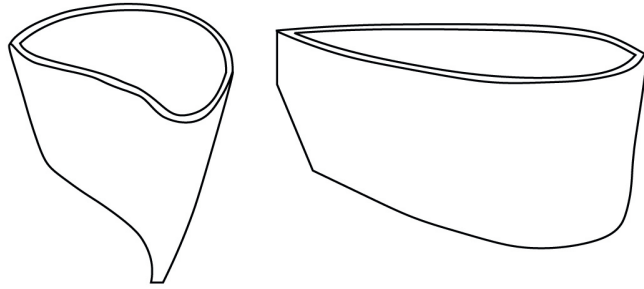
Lamps





Vases

# Gran Terra



## GRAN TERRA. INDOOR AND OUTDOOR VASE.

### Dimensions (approx.)

Length 150 to 260 cm  
Width 60 to 80 cm  
Height 60 to 80 cm  
Custom measurements can  
also be made.

### Weight

70 to 90 kg

### Resistance

400kg/m<sup>2</sup>

### Content

1 Gran Terra Vase

### Materials

Fiberglass

### Warranty

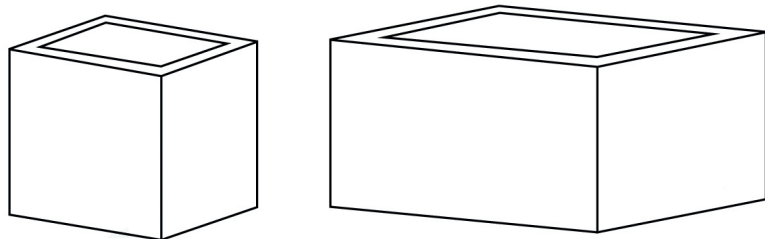
2 years

Vase with unique fiberglass shape for indoor and outdoor use. Resistant to all types of adverse weather conditions. Its height allows any type of plant to grow properly.

REF: MA 0001



# Terra



**TERRA.**  
INDOOR AND  
OUTDOOR VASE.

**Dimensions (approx.)**

Length 40 to 150 cm  
Width 40 to 150 cm  
Height 35 to 70 cm  
Custom measurements can  
also be made.

**Weight**

20 to 60 kg

**Resistance**

400kg/m<sup>2</sup>

**Content**

1 Terra Vase

**Materials**

Fiberglass

**Warranty**

2 years

Vase resistant to all types of  
conditions. Its height allows  
the correct growth of any  
type of plant.



REF: MA 0002



White



Black



Wood  
Effect

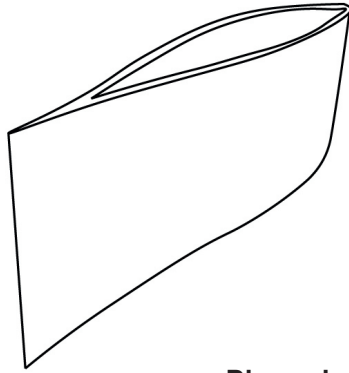


Stone  
Effect



Customized

# Vela



**VELA.**  
INDOOR AND  
OUTDOOR VASE.

**Dimensions (approx.)**

Length 165 to 220 cm  
Width 30 to 45 cm  
Height 45 cm  
Custom measurements can  
also be made.

**Weight**

40 to 60 kg

**Resistance**

400kg/m<sup>2</sup>

**Content**

1 VELA

**Materials**

Fiberglass

**Warranty**

2 years

Vase resistant to all types of  
conditions. Its height allows  
the correct growth of any  
type of plant.



REF: MA 0003



White



Black



Wood  
Effect

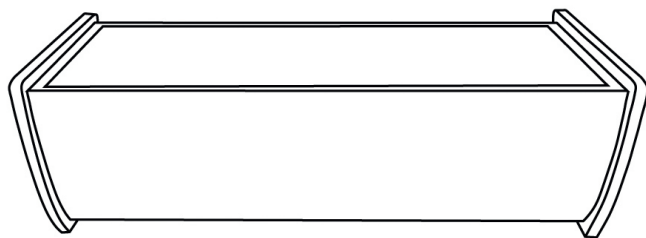


Stone  
Effect



Customized

# U



## U. INDOOR AND OUTDOOR VASE

### Dimensions (approx.)

Length 50 to 200 cm

Width 40 to 60 cm

Height 40 to 60 cm

Custom measurements can also be made.

### Weight

20 to 60 kg

### Resistance

400kg/m<sup>2</sup>

### Content

1 U vase

### Materials

Fiberglass

### Warranty

2 years

Vase resistant to all types of conditions. Its height allows the correct growth of any type of plant.



REF: MA 0004



White



Black



Wood  
Effect

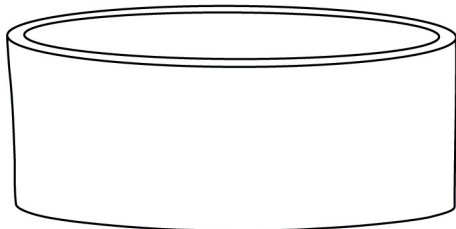


Stone  
Effect



Customized

# Orbital



**ORBITAL.**  
INDOOR AND  
OUTDOOR VASE.

**Dimensions (approx.)**

Diameter 100, 150, 170, 190, 210 cm  
Height 60 to 80 cm  
Custom measurements can  
also be made.

**Weight**

200 to 500 kg

**Resistance**

400kg/m<sup>2</sup>

**Content**

1 Orbital Vase

**Materials**

Fiberglass

**Warranty**

2 years

Vase resistant to all types of  
conditions. Its height allows  
the correct growth of any  
type of plant.

REF: MA 0005



White



Black



Wood  
Effect



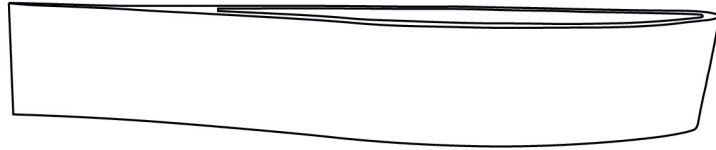
Stone  
Effect



Customized



# Mini Vase



**MINI VASE.**  
INDOOR AND  
OUTDOOR VASE

**Dimensions (approx.)**

Length 80 to 120 cm  
Width 10 to 20 cm  
Height 10 to 15 cm  
Custom measurements can  
also be made.

**Weight**

1 to 3 kg

**Resistance**

400kg/m<sup>2</sup>

**Content**

1 MINI VASE

**Materials**

Fiberglass

**Warranty**

2 years

Vase resistant to all types of  
conditions. Its height allows  
the correct growth of any  
type of plant.

REF: MA 0006





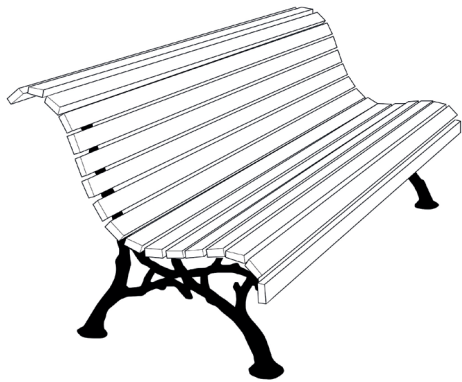


Benches



# Dialogue

## DIALOGUE. INDOOR AND OUTDOOR BENCH



**Dimensions (approx.)**  
Length 80 to 220 cm  
Width 6 to 12 cm  
Height 3 cm  
Custom measurements can also be made.

**Weight**  
95 to 150kg

**Resistance**  
400kg/m<sup>2</sup>

**Content**  
1 Dialogue Bench

**Materials**  
Fiberglass

**Warranty**  
2 years

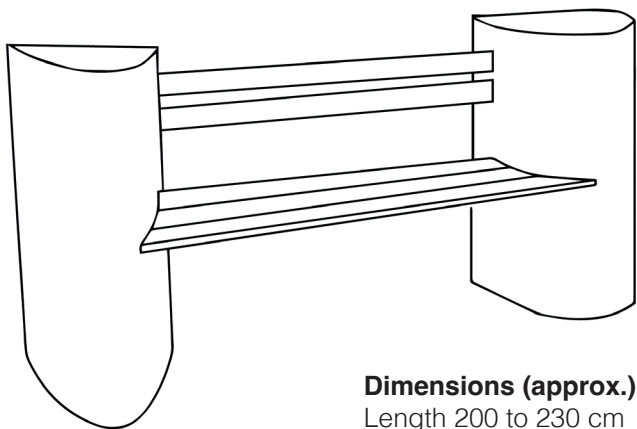
Fiberglass plates from the inside of the wind blade for mounting the bench.



REF: BA 0001

- White
- Black
- Wood Effect
- Stone Effect
- Customized

# Goyo Pro



## GOYO PRO. INDOOR AND OUTDOOR BENCH

### Dimensions (approx.)

Length 200 to 230 cm

Width 60 to 70 cm

Height 80 cm

Custom measurements can also be made.

### Weight

40kg

### Resistance

400kg/m<sup>2</sup>

### Content

1 Goyo Pro Bench

### Materials

Fiberglass

### Warranty

2 years

Bench for indoor or outdoor use,  
with two towers on both sides  
that have a space to put plants.

REF: BA 0002



White



Black



Wood  
Effect



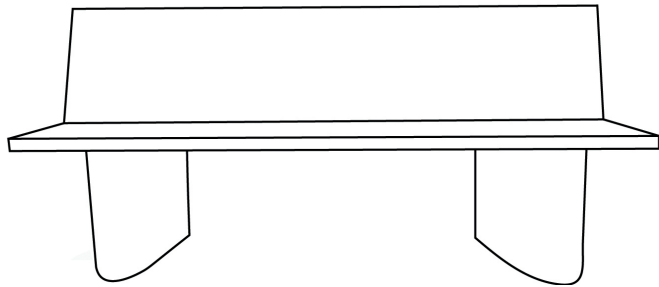
Stone  
Effect



Customized



# Natura



## **NATURA.** INDOOR AND OUTDOOR BENCH

### **Dimensions (approx.)**

Length 150 to 220 cm

Width 60 cm

Height 98 cm

Custom measurements can  
also be made.

### **Weight**

40 to 45kg

### **Resistance**

400kg/m<sup>2</sup>

### **Content**

1 Natura Bench

### **Materials**

Fiberglass and Balsa Wood

### **Warranty**

2 years

Functional bench made with  
materials recovered from the  
central part of the blade.



REF: BA 0003



White



Black



Wood  
Effect



Stone  
Effect



Customized

# Lágrima



## **LÁGRIMA.** INDOOR AND OUTDOOR BENCH

### **Dimensions (approx.)**

Length 220 to 250 cm

Width 50 to 60 cm

Height 45 cm

Custom measurements can also be made.

### **Weight**

40 kg

### **Resistance**

400kg/m<sup>2</sup>

### **Content**

1 Lágrima Bench

### **Materials**

Fiberglass

### **Warranty**

2 years

Bench with a modern design, made from materials recovered from the central part of the wind blade. It can be installed both indoors and outdoors.

REF: BA 0004



White



Black



Wood  
Effect



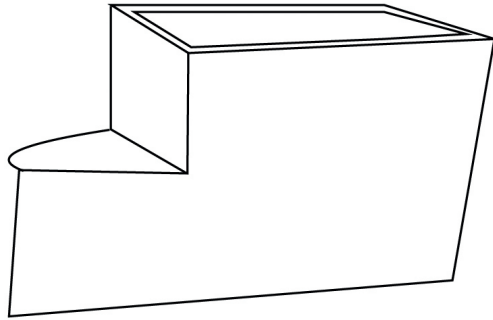
Stone  
Effect



Customized



# Eco



## ECO. OUTDOOR BENCH

### Dimensions (approx.)

Length 130 to 200 cm  
Width 60 cm  
Height 80 cm  
Custom measurements can also be made.

### Peso

50 to 60 kg

### Resistance

400kg/m<sup>2</sup>

### Content

1 Eco Bench

### Materials

Fiberglass and Balsa Wood

### Warranty

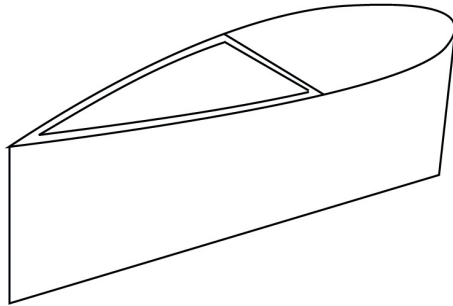
2 years

Multifunctional modular bench with flower box. The ideal solution for urban spaces that want to be unique.

REF: BA 0005



# Flex



## FLEX. OUTDOOR BENCH

### Dimensions (approx.)

Length 200 to 220 cm

Width 60 cm

Height 45 cm

Custom measurements can also be made.

### Weight

50 to 60 kg

### Resistance

400kg/m<sup>2</sup>

### Content

1 Flex Bench

### Materials

Fiberglass and Balsa Wood

### Warranty

2 years

The bench of creativity. It can be used in different ways, individually or in sets to form different shapes.

REF: BA 0006



White



Black



Wood  
Effect



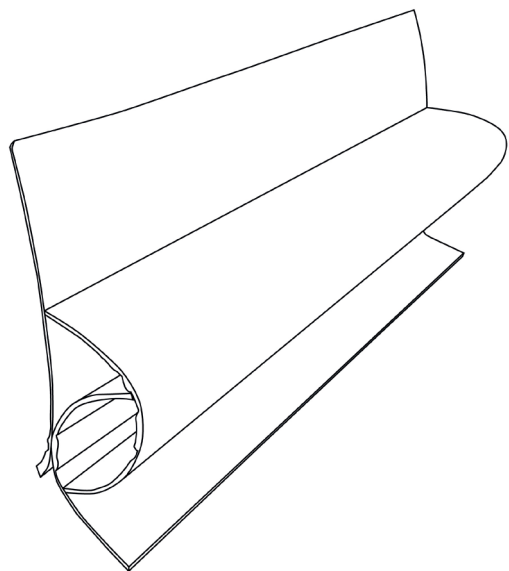
Stone  
Effect



Customized



# Curvi



## **CURVI.** INDOOR AND OUTDOOR USE

### **Dimensions (approx.)**

Length 200 cm  
Width 45 cm  
Height 82 cm  
Custom measurements can  
also be made.

### **Weight**

60 to 75 kg

### **Resistance**

400kg/m<sup>2</sup>

### **Content**

1 CURVI BENCH

### **Materials**

Fiberglass

### **Warranty**

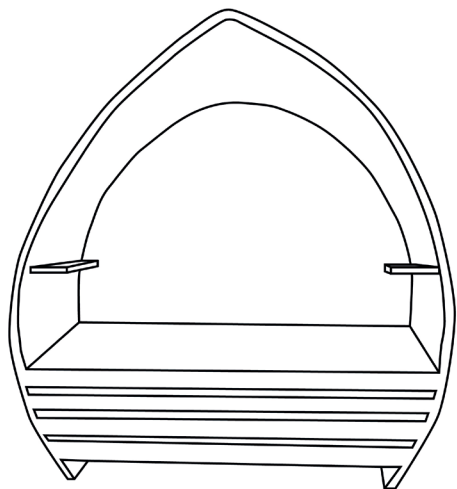
2 years

Functional bench made with  
materials recovered from the  
central part of the blade.  
Easily adaptable to indoor and  
outdoor environments.

REF: BA 0007



# Capsair Dúo



## DÚO. OUTDOOR AND INDOOR BENCH

### Dimensions (approx.)

Length 150 to 160 cm  
Width 80 cm  
Altura 150 to 170 cm  
Custom measurements can also be made.

### Weight

150 kg

### Resistance

400kg/m<sup>2</sup>

### Content

1 DÚO BENCH

### Materials

Fiberglass

### Warranty

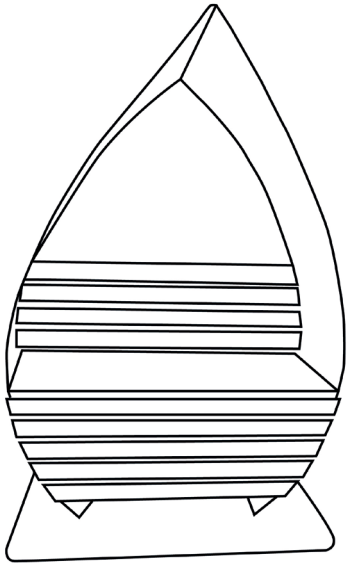
2 years

Designer bench made from materials recovered from the central part of a wind turbine blade. Easily adaptable to outdoor and indoor environments.

REF: BA 0008



# Capsair Simple



**SIMPLE.**  
OUTDOOR AND INDOOR  
BENCH WITH BACKREST

**Dimensions (approx.)**

Length 150 to 160 cm  
Width 45 cm  
Height 150 to 170 cm  
Custom measurements can  
also be made.

**Weight**

150 kg

**Resistance**

400kg/m<sup>2</sup>

**Content**

1 SIMPLE BENCH

**Materials**

Fiberglass

**Warranty**

2 years

Bench with backrest and cover  
to provide shade, made with  
materials recovered from the  
central part of the wind turbine  
blade.



REF: BA 0009



White



Black



Wood  
Effect



Stone  
Effect



Customized





Tables

# Puntair



## PUNTAIR. INDOOR AND OUTDOOR TABLE

### Dimensions (approx.)

Length 180 to 350 cm

Width 70 to 80 cm

Height 80 cm

Custom measurements can also be made.

### Weight

70 a 90 kg

### Resistance

400kg/m<sup>2</sup>

### Content

1 Puntair Table

### Materials

Fiberglass

### Warranty

2 years

Functional table made entirely of fiberglass. It has a careful aesthetic finish and is available in various sizes. With the possibility of customization: metal, wood or other materials.

REF: ME 0001



White



Black



Wood  
Effect



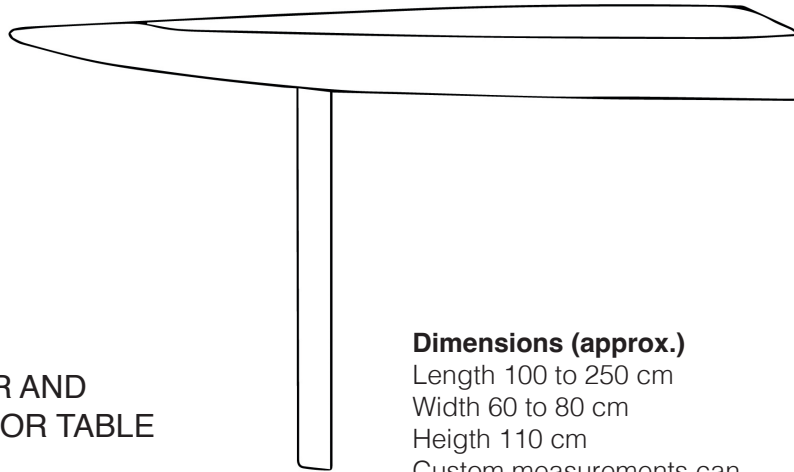
Stone  
Effect



Customized



# Bar



## BAR. INDOOR AND OUTDOOR TABLE

### Dimensions (approx.)

Length 100 to 250 cm

Width 60 to 80 cm

Height 110 cm

Custom measurements can also be made.

### Weight

90 kg

### Resistance

400kg/m<sup>2</sup>

### Content

1 Bar Table

### Materials

Fiberglass

### Warranty

2 years

Functional table made entirely of fiberglass. It has a careful aesthetic finish and is available in various sizes.

REF: ME 0002



White



Black



Wood  
Effect



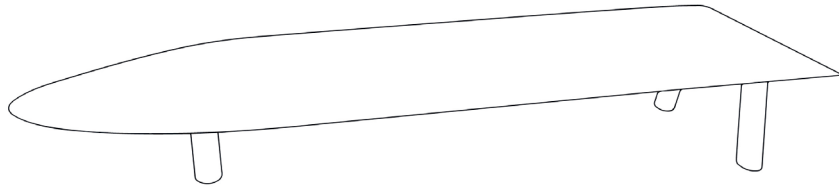
Stone  
Effect



Customized



# Hall



## HALL. INDOOR TABLE

### Dimensions (aprox.)

Length 200 to 300 cm

Width 100 cm

Height 50 cm

Custom measurements can also be made.

### Weight

120 kg

### Content

1 Hall Table

### Materials

Fiberglass

### Warranty

2 years

Functional table made entirely of fiberglass. It has a careful aesthetic finish and is available in various sizes.



REF: ME 0003



White



Black



Wood  
Effect

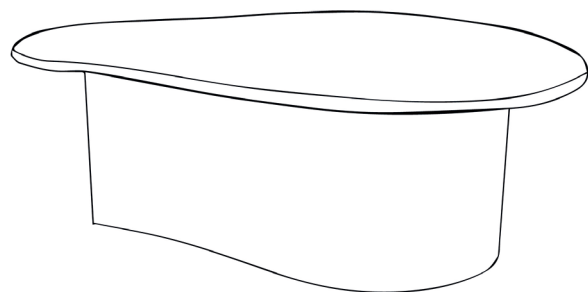


Stone  
Effect



Customized

# Lágrima



**LÁGRIMA.**  
INDOOR AND  
OUTDOOR TABLE.

**Dimensions (approx.)**

Length 250 to 270 cm  
Width 100 to 130 cm  
Height 80 cm  
Custom measurements can  
also be made.

**Weight**

90 to 120kg

**Resistance**

400kg/m<sup>2</sup>

**Content**

1 Lágrima Table

**Materials**

Fiberglass

**Warranty**

2 years

Functional table with materials  
from inside of the wind blade.



REF: ME 0004



White



Black



Wood  
Effect

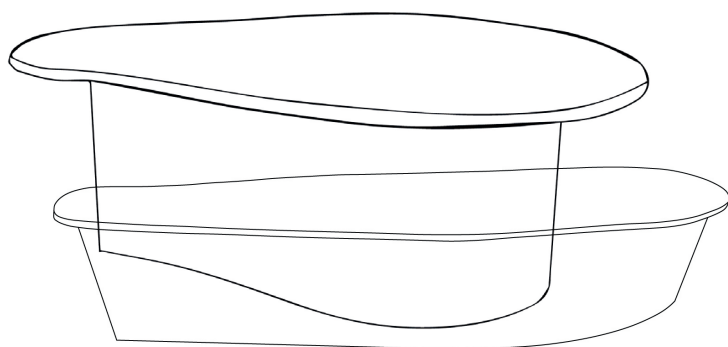


Stone  
Effect



Customized

# Lágrima Set



**LÁGRIMA SET.**  
TABLE WITH 2 BENCHES  
FOR INTERIOR AND  
EXTERIOR

**Dimensions (approx.)**

Length 220 to 270 cm  
Width 85 to 150 cm  
Height 80 cm  
Custom measurements can  
also be made.

**Weight**

200kg

**Resistance**

400kg/m<sup>2</sup>

**Content**

1 Lágrima Table / 2 Lágrima Benches

**Materials**

Fiberglass

**Warranty**

2 years

Set of table and two benches of modern design, made with materials recovered from the central part of the wind blade. It can be installed both indoors and outdoors.

REF: ME 0005



White



Black



Wood  
Effect



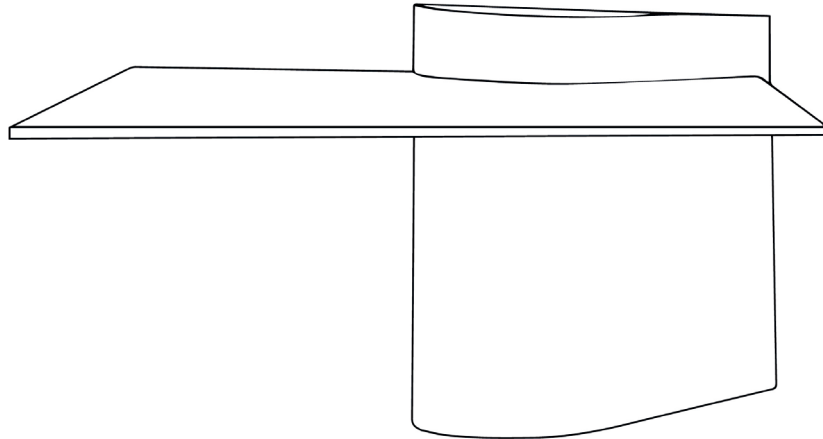
Stone  
Effect



Customized



# Júlio



## JÚLIO. INDOOR TABLE

### Dimensions (approx.)

Length 180 to 250 cm

Width 45 cm

Height 110 cm

Custom measurements can also be made.

### Weight

30 kg

### Content

1 Júlio Table

### Materials

Fiberglass and Balsa Wood

### Warranty

2 years

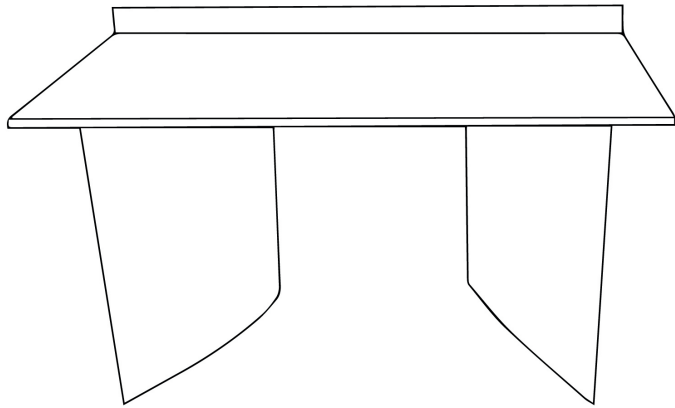
Functional table with wood from inside of the wind blade.



REF: ME 0006



# Musa



## MUSA. INDOOR TABLE

### Dimensions (approx.)

Length 160 to 220 cm

Width 80 cm

Height 75 to 80 cm

Custom measurements can also be made.

### Weight

50 kg

### Content

1 Musa Table

### Materials

Fiberglass and Balsa Wood

### Warranty

2 years

Functional office desk with wooden top inside the wind blade.



REF: ME 0007



White



Black



Wood Effect

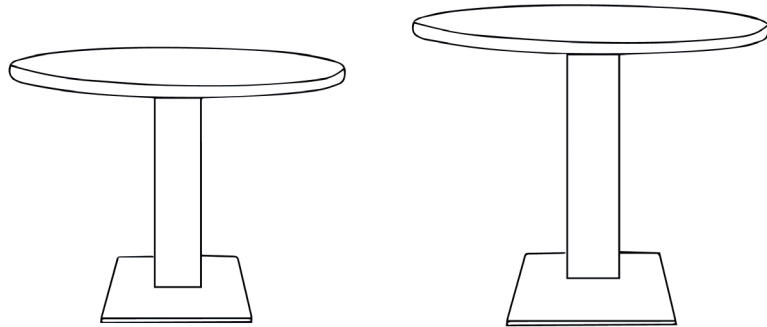


Stone Effect



Customized

# Solaris



## **SOLARIS.** INDOOR AND OUTDOOR TABLE

Functional office desk with wood from inside the wind blade.

### **Dimensions (approx.)**

Diameter 90 cm  
Height 80 to 110 cm  
Custom measurements can also be made.

### **Weight**

40 kg

### **Resistance**

70kg/m<sup>2</sup>

### **Content**

1 Solaris Table

### **Materials**

Fiberglass and Balsa Wood

### **Warranty**

2 años



REF: ME 0008



White



Black



Wood  
Effect

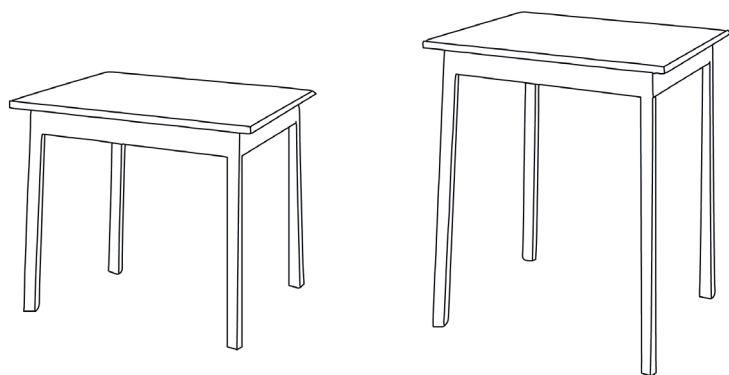


Stone  
Effect



Customized

# Four Seasons



## FOUR SEASONS. INDOOR AND OUTDOOR TABLE

### Dimensions (approx.)

Length 90 cm

Width 90 cm

Height 80 to 110 cm

Custom measurements can also be made.

### Weight

30-35kg

### Resistance

100kg/m<sup>2</sup>

### Content

1 Four Seasons Table

### Materials

Fiberglass and Balsa Wood

### Warranty

2 years

Functional square table with a wooden top recovered from the inside of a wind blade.



REF: ME 0009



White



Black



Wood  
Effect

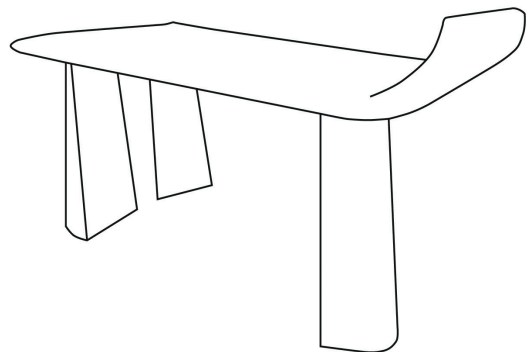


Stone  
Effect



Customized

# Enercon



**ENERCON.**  
TABLE FOR INDOOR AND  
OUTDOOR USE

**Dimensions (approx.)**

Length 180 to 300 cm aprox.

Width 70 to 100 cm

Height 80 to 110 cm

Custom measurements can  
also be made.

**Weight**

90 kg

**Resistance**

400 kg

**Content**

1 Enercon Table

**Materials**

Fiberglass

**Warranty**

2 years

White table with a  
modern and minimalist  
design, with a sculptural  
aesthetic, ideal for creating  
creative spaces.

REF: ME 0010



White



Black



Wood  
Effect



Stone  
Effect



Customized

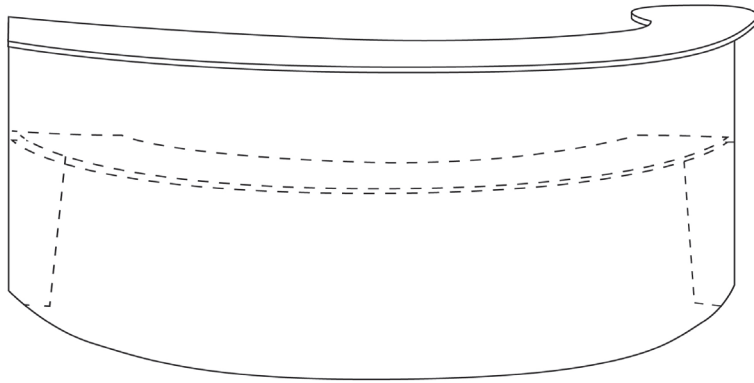






Counters

# Blade



## BLADE COUNTER. COUNTER FOR INDOOR OR OUTDOOR USE

### Dimensions (approx.)

Length 260 to 370 cm aprox.

Width 80 to 100 cm

Height 110 cm

Custom measurements can also be made.

### Weight

150kg

### Content

1 Blade Counter

### Materials

Fiberglass and Balsa Wood

### Warranty

2 years

Counter with a modern design, made from materials recovered from the lower part of wind turbine blades.

REF: MO 0001



White



Black



Wood Effect



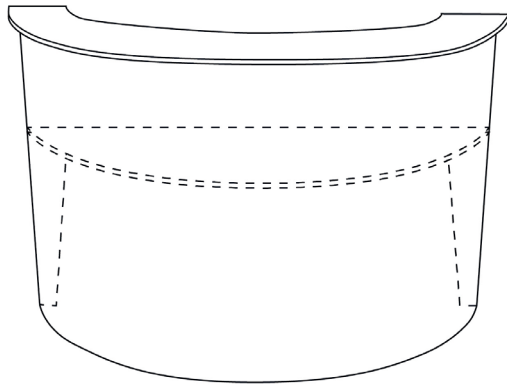
Stone Effect



Customized



# Root



**ROOT COUNTER.**  
COUNTER FOR INDOOR  
OR OUTDOOR USE

**Dimensions (approx.)**

Length 160 cm

Width 65 cm

Height 110 cm

Custom measurements can  
also be made.

**Weight**

220kg

**Content**

1 Root Counter

**Materials**

Fiberglass and Balsa Wood

**Warranty**

2 years

Counter with a modern design,  
made from materials  
recovered from the lower part  
of wind turbine blades.



REF: MO 0002

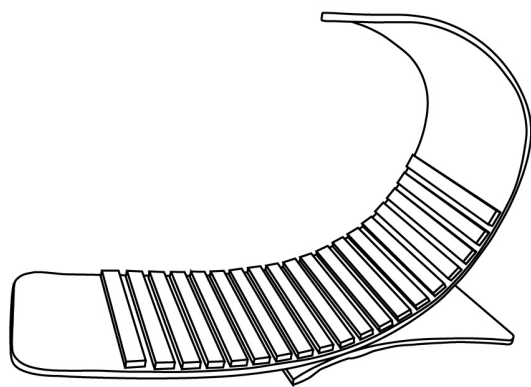






Various

# Hamacair



**HAMACAIR.**  
INDOOR AND  
OUTDOOR LOUNGER.

**Dimensions (approx.)**

Length 220 cm  
Width 70 cm  
Height 160 cm  
Custom measurements can  
also be made.

**Weight**

80 kg

**Resistance**

400kg/m<sup>2</sup>

**Content**

1 Hamacair

**Materials**

Fiberglass and Balsa Wood

**Warranty**

2 years

Comfortable and totally  
sustainable lounge for indoor  
and outdoor use, made from  
materials recovered from the  
widest part of the wind blade.



REF: VA 0001



White



Black



Wood  
Effect



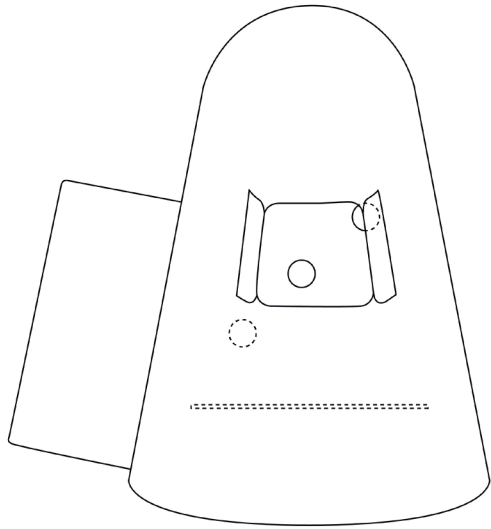
Stone  
Effect



Customized

# Odisseia

## ODISSEIA. CAPSULE FOR VARIOUS USES



### Dimensions (approx.)

Height 250 cm  
Diameter 200 cm  
Custom measurements can  
also be made.

### Weight

70kg

### Content

1 Odisseia

### Materials

Fiberglass

### Warranty

2 years

Capsule for various uses,  
ideal for children's games.

REF: VA 0002



White



Black



Wood  
Effect



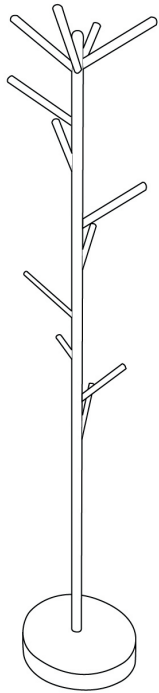
Stone  
Effect



Customized



# Standing Hanger



**STANDING HANGER.**  
FOR INTERIOR  
AND EXTERIOR.

**Dimensions (approx.)**

Length 30 cm

Width 30 cm

Height 160 cm

Custom measurements can  
also be made.

**Weight**

7 kg

**Content**

1 STANDING HANGER

**Materials**

Fiberglass

**Warranty**

2 years

Standing hanger for  
indoor or outdoor use,  
design and comfort.



REF: VA 0003



White



Black



Wood  
Effect



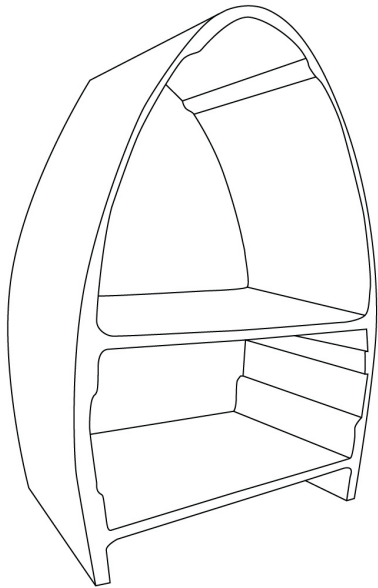
Stone  
Effect



Customized

# Leñero

## LEÑERO . FURNITURE FOR INDOOR AND OUTDOOR USE



### Dimensions (approx.)

Length 75 to 140 cm

Width 50 to 80 cm

Height 100 to 160 cm

Custom measurements can  
also be made.

### Weight

90 kg

### Resistance

400kg/m<sup>2</sup>

### Content

1 FIREWOOD

### Materials

Fiberglass

### Warranty

2 years

Functional furniture for  
storing logs, made with materials  
recovered from the central part  
of the wind turbine blade.

REF: VA 0004



White



Black



Wood  
Effect



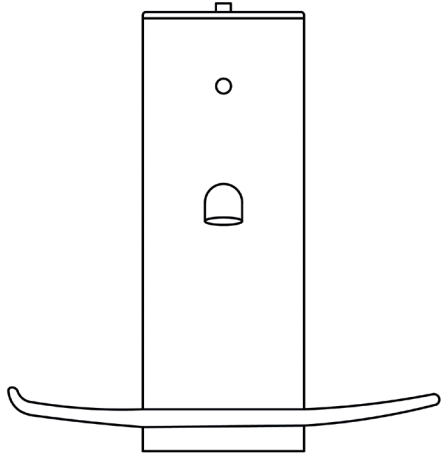
Stone  
Effect



Customized



# Cleamair



## CLEAMAIR.

Freshwater footbath for use on beaches

### Dimensions (approx.)

Length 100 to 130 cm

Width 60 to 80 cm

Height 100 to 110 cm

Custom measurements can also be made.

### Weight

100kg

### Resistance

400kg/m<sup>2</sup>

### Content

1 washbasin

### Materials

Fiberglass and carbon

### Includes

Taps

### Warranty

2 years

Footbaths to ensure the comfort of people using the sand and the correct use of fresh water



REF: VA 0005



White



Black



Wood Effect

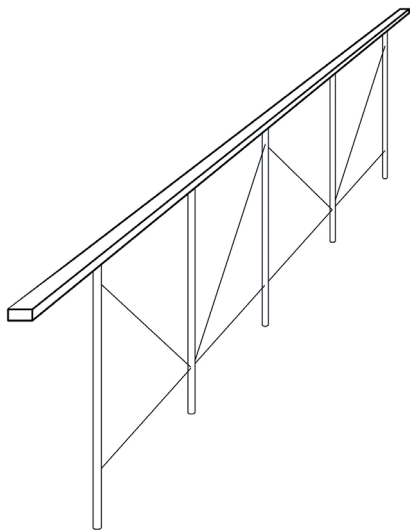


Stone Effect



Customized

# Pasamanos



## PASAMANOS. FOR OUTDOOR AND INDOOR USE

### Dimensions (approx.)

Length 100 to 220 cm

Width 6 cm customized

Height 2 cm

Custom measurements can also be made.

### Weight

7 kg

### Resistance

400kg/m<sup>2</sup>

### Content

1 Handrail

### Materials

Fiberglass

### Warranty

2 years

Handrails made from high-quality materials eliminate maintenance costs and offer infinite durability.



REF: VA 0006



White



Black



Wood Effect

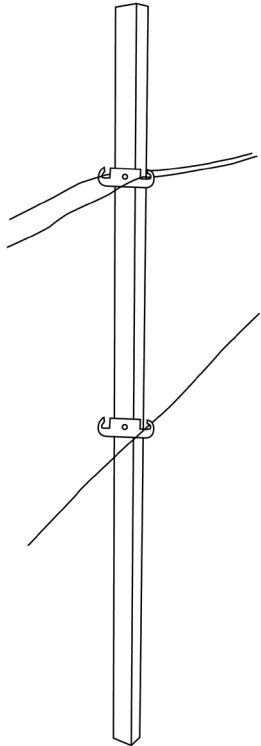


Stone Effect



Customized

# Estacas



## ESTACAS. FOR OUTDOOR AND INDOOR USE

### Dimensions (approx.)

Height up to approx. 230 cm  
Whidth 3/3 ou 6/3 cm  
Custom measurements can  
also be made.

### Weight

3 to 7 kg

### Resistance

400kg/m<sup>2</sup>

### Content

1 Stakes

### Materials

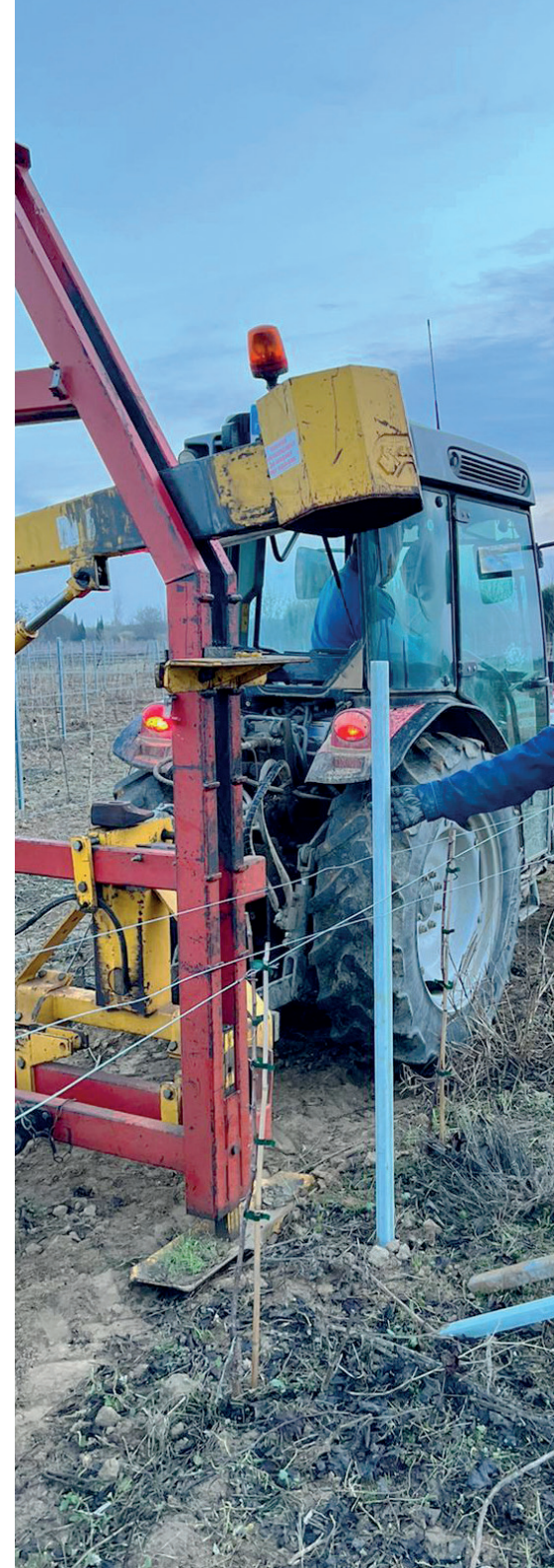
Fiberglass

### Warranty

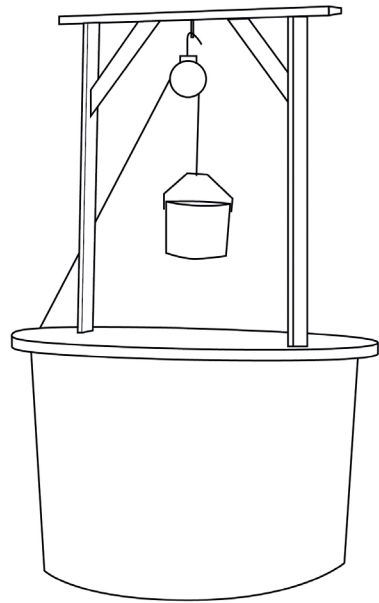
2 years

Designer stakes made  
from recycled materials  
from the central part of wind  
turbines

REF: VA 0007



# Pozo



## WELL. FOR OUTDOOR USE

### Dimensions (approx.)

Diameters 100 to 150 cm

Height 190 cm

Custom measurements can also be made.

### Weight

200 kg

### Resistance

400kg/m<sup>2</sup>

### Contents

1 DECORATIVE WELL

### Materials

Fiberglass

### Warranty

2 years

Decorative well designed using materials recovered from the central part of a wind turbine blade.

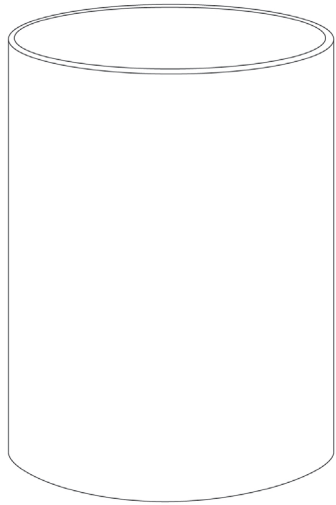


REF: VA 0008



# Hub

## HUB TANK. FOR OUTDOOR USE



### Diameters and Capacities (approx.)

1 x 2,30	-1.080L
1,50 x 2,30	-1.290L
1,70 x 2,30	-1.660L
1,85 x 2,30	-1.950L
1,90 x 2,30	-2.080L
2,10 x 2,30	-2.640L

### Contents

1 HUB Tank

### Paint

White color with the option to customize the color

### Warranty

2 years

Tank for water or any other type of liquid made with materials recovered from the wind turbine blade.

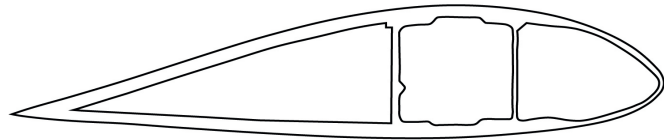
REF: VA 0009





Shelfs

# Cleopatra



## CLEOPATRA. INDOOR SHELF

### Dimensions (approx.)

Length 80 to 130 cm

Width 10 to 25 cm

Height 10 to 20 cm

Custom measurements can also be made.

### Weight

10 to 12 kg

### Resistance

50kg/m<sup>2</sup>

### Content

1 Cleopatra Shelf

### Materials

Fiberglass

### Warranty

2 years

Multifunctional bookcase for indoor environments. Its spacious design allows you to place everything you want and optimize space. You can choose the color of your choice.

REF: ES 0001



White



Black



Wood  
Effect



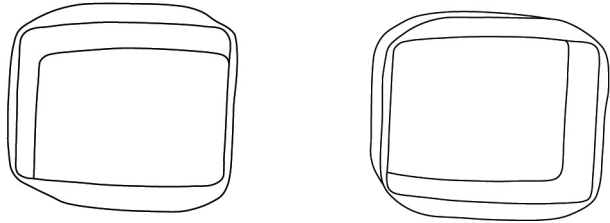
Stone  
Effect



Customized



# Aurair



## AURAIR. INDOOR SHELF

### Dimensions (approx.)

From 30x30 to 80x80 cm  
Custom measurements can also be made.

### Weight

5 to 15 kg

### Resistance

400kg/m<sup>2</sup>

### Content

1 Aurair Shelf

### Materials

Fiberglass and carbon fiber

### Warranty

2 years

Modular shelf to create spaces with different shapes and designs.

REF: ES 0002

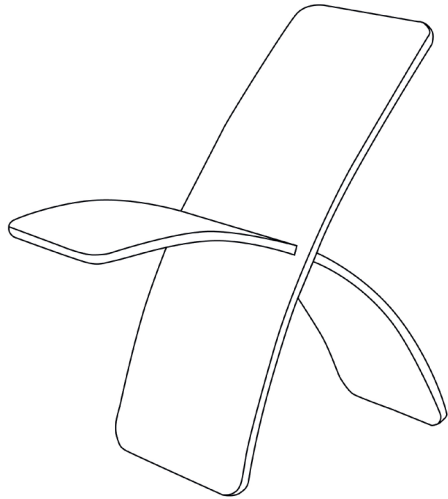






Chairs

# X



## X. INDOOR AND OUTDOOR CHAIR

### Dimensions (approx.)

Length 100 cm

Width 36 to 40 cm

Height 100 cm

Custom measurements can  
also be made.

### Weight

20 kg

### Resistance

400kg/m<sup>2</sup>

### Content

1 X Chair

### Materials

Fiberglass

### Warranty

2 years

Unique design chair.



REF: SI 0001

○ White

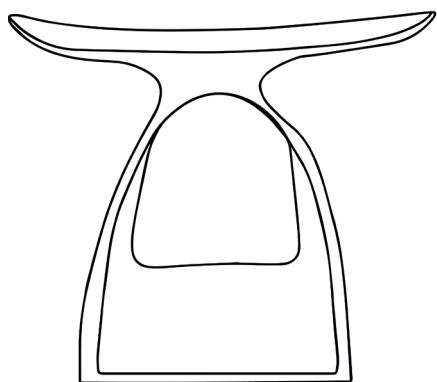
● Black

● Wood  
Effect

● Stone  
Effect

● Customized

# Xclusive



## **XCLUSIVE.** INDOOR AND OUTDOOR STOOL

### **Dimensions (approx.)**

Length 45 to 60 cm

Width 30 cm

Height 45 cm

Custom measurements can  
also be made.

### **Weight**

12kg

### **Resistance**

100kg/m<sup>2</sup>

### **Content**

1 Xclusive Stool

### **Materials**

Fiberglass and Carbon Fiber

### **Warranty**

2 years

Unique design stool.

REF: SI 0002



White



Black



Wood  
Effect



Stone  
Effect



Customized

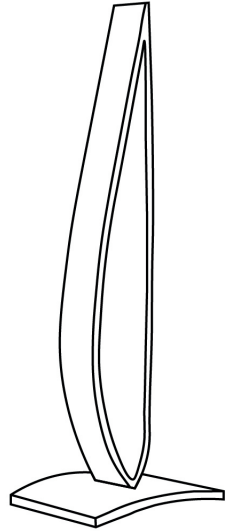






Lamps

# Aletair



## ALETAIR. INDOOR AND OUTDOOR LAMP

### Dimensions (approx.)

Length 12 to 20 cm

Width 15 cm

Height 100 to 160 cm

Custom measurements can  
also be made.

### Weight

15kg

### Voltage

230V/ 50Hz

### Content

1 Aletair Lamp

### Materials

Fiberglass

### Warranty

2 years

Column lamp for indoors and  
outdoors, shaped like wind  
blades and with a special  
weather-resistant finish.

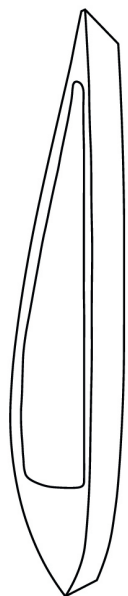
The built-in LED light has  
several colors, adjustable  
by remote control.

Suitable for outdoor use.

REF: LA 0001



# Aletair wall



## ALETAIR WALL. INDOOR AND OUTDOOR LAMP

### Dimensions (approx.)

Length 12 to 20 cm

Width 15 cm

Height 100 to 160 cm

Custom measurements can also be made.

### Weight

15kg

### Voltage

230V/ 50Hz

### Content

1 Aletair Wall Lamp

### Materials

Fiberglass

### Warranty

2 years

Column lamp for indoors and outdoors, shaped like wind blades and with a special weather-resistant finish. The built-in LED light has several colors, adjustable by remote control. Suitable for outdoor use.

REF: LA 0002



White



Black



Wood  
Effect



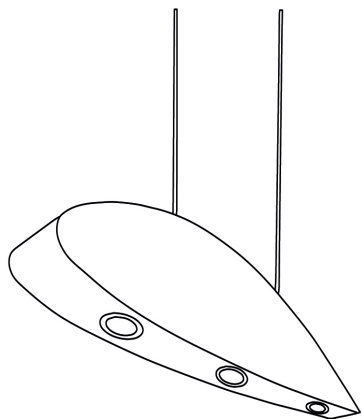
Stone  
Effect



Customized



# Apolo



## APOLO. INDOOR LAMP

### Dimensions (approx.)

Length 100 to 130 cm

Width 15 cm

Height 12 to 20 cm

Custom measurements can also be made.

### Weight

15kg

### Voltage

230V/ 50Hz

### Content

1 Apolo Lamp

### Materials

Fiberglass

### Warranty

2 years

Designer lamp in the shape of a fin. For indoor use. The built-in LED light has several adjustable colors, which can be changed using a remote control to create the right lighting for every moment.

REF: LA 0003



White



Black



Wood  
Effect



Stone  
Effect



Customized







SOSTYLair



Polígono Industrial da Lagoa  
Rúa das Cruzes nº 484  
4950-850 Monção  
PORTUGAL

**+351 913 507 662**

**[info@sostylair.com](mailto:info@sostylair.com)**