

# CLASICAIR BENCH

**INDOOR / OUTDOOR**

Who would say that through a blade from a windmill could be obtained much of the urban and domestic furniture?

# SOSTYL AIR<sup>®</sup>

GIVE A SECOND LIFE TO THE SO CALLED EVIL WASTE OF ENERGY WIND POWER FOR ITS RECONVERSION INTO A WIDE RANGE OF PRODUCTS LIKE,

BENCHES, FLOWERPOTS, TABLES, CHAIRS, LAMPS...

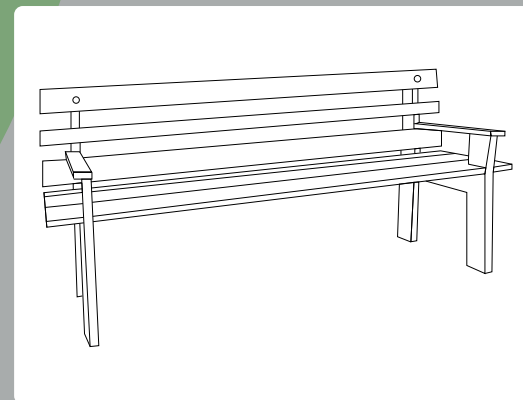
ECOLOGICAL AND SUSTAINABLE



DESCRIPTION: Classic style bench, suitable for outdoor use.

Measures*:	Height	87 cm
	Width	50 cm
	Length	200 cm

Approximate measurements



Colour: Basic presentation in white and black color. The customer can customize the external color of the bench according to their needs, with a cost of 50€, this option being free of charge for orders of 5 units or more. Sustainable production

\*There is the option of of customised measurements

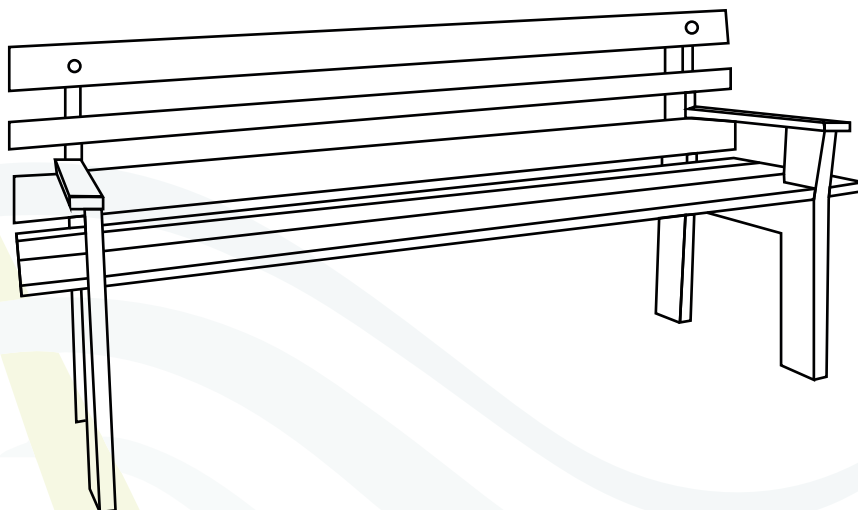
Ventos Metódicos Reciclagem LDA.  
Polígono Industrial da Lagoa. Rua das Cruzes, 484  
4950-850 Monção. Portugal

info@sostylair.eu

Teléfono: +34 62686 86 30




# CLASICAIR Bench





REF: 0006

## Measures\*

**Length: 200cm**  
**Height: 87cm**  
**Width: 50cm**

 **Weight**  
30 Kg

 **Endurance**  
400 Kg/m2

 **Paint Temperature**  
Max. 85°C


 **Color**  
White  
Black  
Customised

## Content

**2 Seat bases**  
**2 Rear bases**  
**2 Legs**  
**1 Leg brace**  
**24 Screws**

## Packaging Measures

**Length: 210cm**  
**Height: 40cm**  
**Width: 60cm**

 **Warranty**  
**2 Years**

\*Approximate measurements

*Made with recycled materials. 95% sustainable.*



Polígono Industrial da Lagoa  
Rua das Cruzes, nº 484  
4950-850 Monção  
Portugal

 [www.ventosmetodicos.com](http://www.ventosmetodicos.com)  
 +351 258 099 691







# GOYO PRO BENCH

**INDOOR / OUTDOOR**

Who would say that through a blade from a windmill could be obtained much of the urban and domestic furniture?

# SOSTYL AIR<sup>®</sup>

GIVE A SECOND LIFE TO THE SO CALLED EVIL WASTE OF ENERGY WIND POWER FOR ITS RECONVERSION INTO A WIDE RANGE OF PRODUCTS LIKE,

**BENCHES, FLOWERPOTS, TABLES, CHAIRS, LAMPS...**

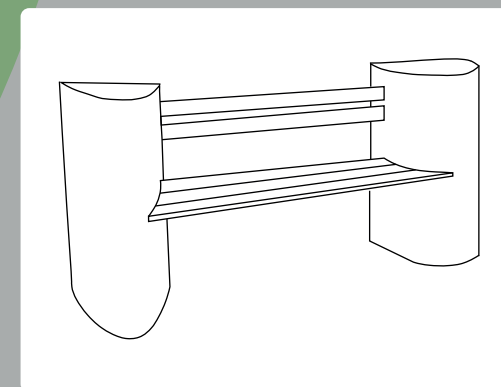
ECOLOGICAL AND SUSTAINABLE



**DESCRIPTION:** Bench for indoor or outdoor use, with two towers on both sides and space to place plants or to store objects.

Measures*:	Height	95 cm
	Width	50 cm
	Length	224 cm
	Approximate measurements	

**Colour:** Basic presentation in white and black color. The customer can customize the external color of the bench according to their needs, with a cost of 50€, this option being free of charge for orders of 5 units or more. Sustainable production



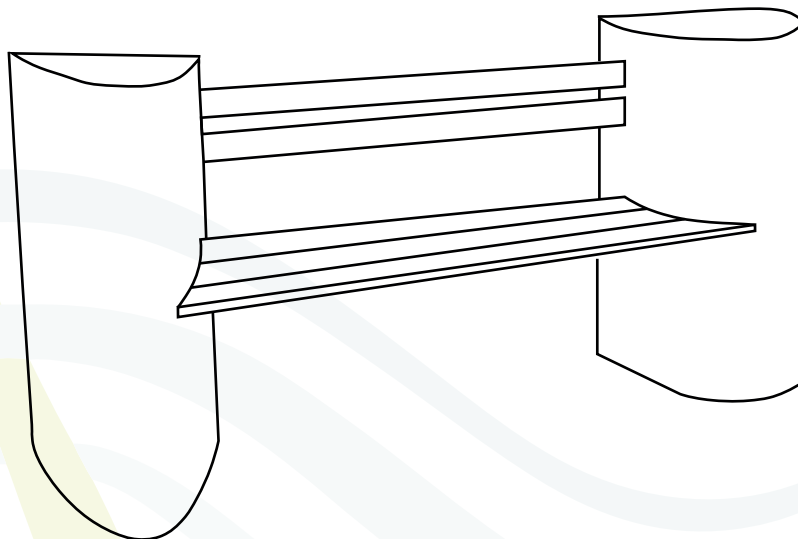
\*There is the option of of customised measurements

Ventos Metódicos Reciclagem LDA.  
Polígono Industrial da Lagoa. Rua das Cruzes, 484  
4950-850 Monção. Portugal


info@sostylair.eu  
Teléfono: +34 62686 86 30



# GOYO PRO Bench





REF: 0007

 Measures \*

Length: 224 cm  
Width: 50 cm  
Height: 95 cm

 Weight  
40 Kg

 Endurance  
400 Kg/m<sup>2</sup>

 Paint Temperature  
Max. 85°C

 Color  
White  
Black  
Customised

 Content

2 Bases  
5 Bars  
2 Rear covers  
2 Bar supports  
6 Screws

 Packaging Measures

Length: 250 cm  
Width: 60 cm  
Height: 60 cm

 Warranty  
2 Years

\*Approximate measurements

Made with recycled materials. 95% sustainable.



Polígono Industrial da Lagoa  
Rua das Cruzes, nº 484  
4950-850 Monção  
Portugal

 [www.ventosmetodicos.com](http://www.ventosmetodicos.com)  
 +351 258 099 691





# GOYO BENCH

**INDOOR / OUTDOOR**

Who would say that through a blade from a windmill could be obtained much of the urban and domestic furniture?

# SOSTYL AIR<sup>®</sup>

GIVE A SECOND LIFE TO THE SO CALLED EVIL WASTE OF ENERGY WIND POWER FOR ITS RECONVERSION INTO A WIDE RANGE OF PRODUCTS LIKE,

**BENCHES, FLOWERPOTS, TABLES, CHAIRS, LAMPS...**

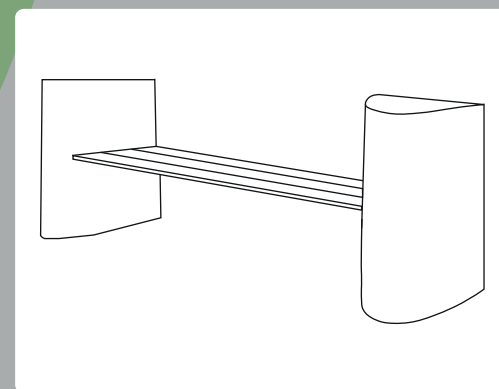
ECOLOGICAL AND SUSTAINABLE



**DESCRIPTION:** Bench for indoor or outdoor use, with two towers on both sides and space to place plants or to store objects.

Measures*:	Height	95 cm
	Width	50 cm
	Length	224 cm
Approximate measurements		

**Colour:** Basic presentation in white and black color. The customer can customize the external color of the bench according to their needs, with a cost of 50€, this option being free of charge for orders of 5 units or more.  
**Sustainable production**



\*There is the option of of customised measurements

Ventos Metódicos Reciclagem LDA.  
Polígono Industrial da Lagoa. Rua das Cruzes, 484  
4950-850 Monção. Portugal

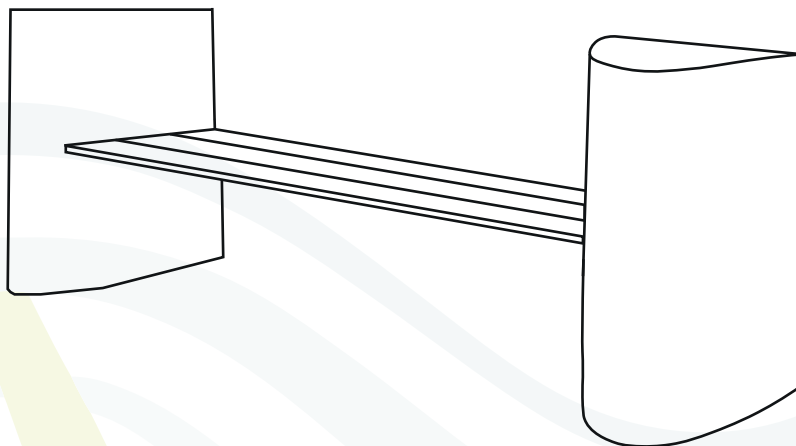
info@sostylair.eu

Teléfono: +34 62686 86 30








# GOYO Bench



REF: 0008

 **Measures\***  
Length: 224 cm  
Width: 50 cm  
Height: 95 cm


 **Weight**  
35 Kg


 **Endurance**  
400 Kg/m<sup>2</sup>

 **Paint Temperature**  
Max. 85°C

 **Color**  
White  
Black  
Customised

 **Content**  
2 Bases  
3 Bars  
2 Bar supports  
6 Screws

 **Packaging Measures**  
Length: 250 cm  
Width: 60 cm  
Height: 60 cm

 **Warranty**  
2 Years

\*Approximate measurements

*Made with recycled materials. 95% sustainable.*



Polígono Industrial da Lagoa  
Rua das Cruzes, n° 484  
4950-850 Monção  
Portugal

 [www.ventosmetodicos.com](http://www.ventosmetodicos.com)  
 +351 258 099 691





# BENCH TEAR

**INDOOR / OUTDOOR**

Who would say that through a blade from a windmill could be obtained much of the urban and domestic furniture?

# SOSTYL AIR<sup>®</sup>

GIVE A SECOND LIFE TO THE SO CALLED EVIL WASTE OF ENERGY WIND POWER FOR ITS RECONVERSION INTO A WIDE RANGE OF PRODUCTS LIKE,

BENCHES, FLOWERPOTS, TABLES, CHAIRS, LAMPS...

ECOLÓGICO Y SOSTENIBLE

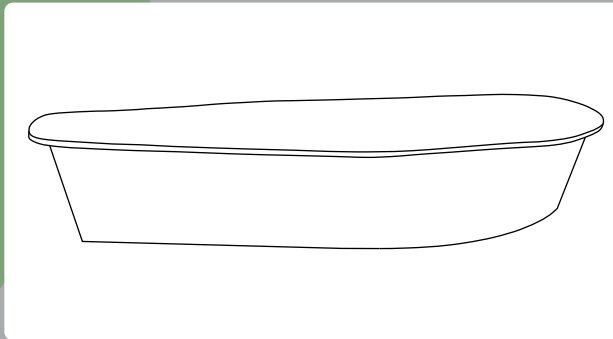


DESCRIPTION: Design bench made from the middle part of the wind blade. Valid for indoors and outdoors.

Measures\*:

Height	45 cm
Width	50 to 60 cm
Length	160 to 200 and 220 to 250 cm

Approximate measurements



Colour: Basic presentation in imitation wood, imitation sand, white and black color. The customer can customise the external colour of the bench according to their needs, at a cost of 50€, with this option being free of charge for orders of 5 units or more. Sustainable production.

\*There is the option of customised measurements

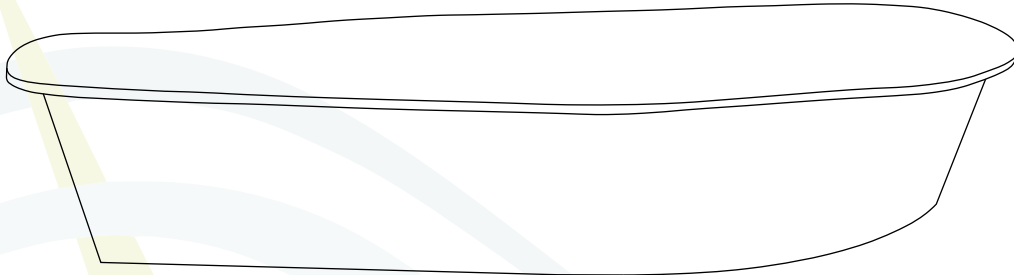
Ventos Metódicos Reciclagem LDA.  
Polígono Industrial da Lagoa. Rua das Cruzes, 484  
4950-850 Monção. Portugal

info@sostylair.eu

Telefone: +34 62686 86 30



# Bench TEAR



REF: 0028

 **Measures\***

Length: 160 to 200 and 220 to 250 cm  
Width: 50 to 60 cm  
Height: 45 cm

 **Weight**

35 Kg

 **Endurance**

400 Kg/m<sup>2</sup>

 **Paint Temperature**

Max. 85°C

 **Color**


White  
Black  
Wood effect  
Stone effect  
Customised

 **Content**

1 Base  
1 Cover  
6 Screws

 **Packaging Measures**

Length: 160 to 200 and 220 to 250 cm  
Width: 50 to 60 cm  
Height: 45 cm

 **Warranty**

2 Years

\*Approximate measurements

Made with recycled materials. 95% sustainable.



Poligono Industrial da Lagoa  
Rua das Cruzes, n° 484  
4950-850 Monção  
Portugal

 [www.ventosmetodicos.com](http://www.ventosmetodicos.com)  
 +351 258 099 691

