

soylair

Product Catalog



Our
Product Catalog

Contents

7

Vases

15

Benches

27

Tables

39

Office Desk

SOSTYLAIR IS DESIGN, INNOVATION
AND SUSTAINABILITY.

Thanks to a pioneering technique
in the waste management of
windmill materials, windmill blades
enjoy a useful second life,
transformed into the pinnacle
of urban, office and domestic furniture.

Our main difference
lies in the complete
recycling of windmill blades.

43

Various

53

Shelves

57

Chairs

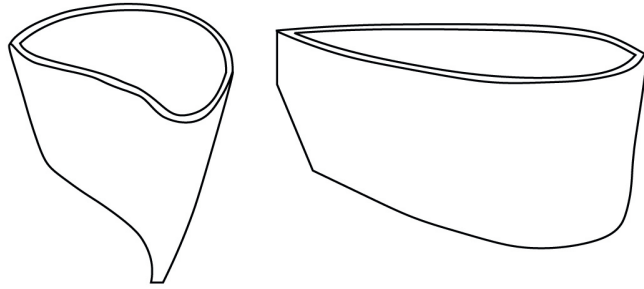
61

Lamps



Vases

Gran Terra



GRAN TERRA. INDOOR AND OUTDOOR VASE.

Dimensions (approx.)

Length 150 to 260 cm
Width 60 to 80 cm
Height 60 to 80 cm
Custom measurements can
also be made.

Weight

70 to 90 kg

Resistance

400kg/m²

Content

1 Gran Terra Vase

Materials

Fiberglass

Warranty

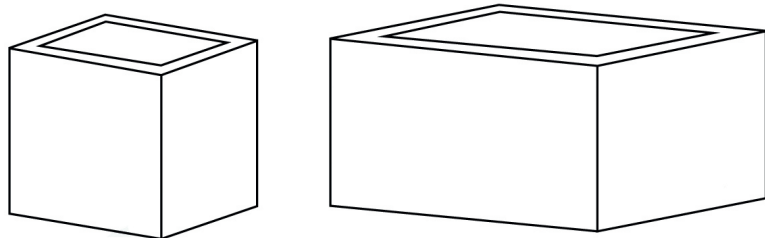
2 years

Vase with unique fiberglass shape for indoor and outdoor use. Resistant to all types of adverse weather conditions. Its height allows any type of plant to grow properly.

REF: MA 0001



Terra



TERRA. INDOOR AND OUTDOOR VASE.

Dimensions (approx.)

Length 40 to 150 cm
Width 40 to 150 cm
Height 35 to 70 cm
Custom measurements can
also be made.

Weight

20 to 60 kg

Resistance

400kg/m²

Content

1 Terra Vase

Materials

Fiberglass

Warranty

2 years

Vase resistant to all types of
conditions. Its height allows
the correct growth of any
type of plant.



REF: MA 0002



White



Black



Wood
Effect

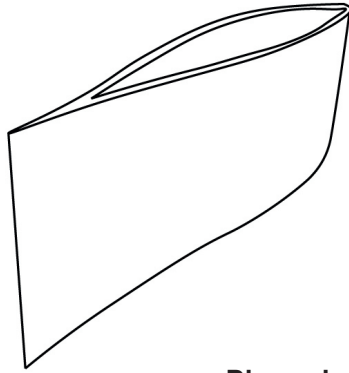


Stone
Effect



Customized

Vela



VELA.
INDOOR AND
OUTDOOR VASE.

Dimensions (approx.)

Length 165 to 220 cm
Width 30 to 45 cm
Height 45 cm
Custom measurements can
also be made.

Weight

40 to 60 kg

Resistance

400kg/m²

Content

1 VELA

Materials

Fiberglass

Warranty

2 years

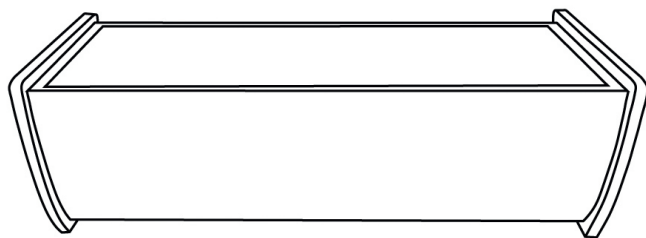
Vase resistant to all types of
conditions. Its height allows
the correct growth of any
type of plant.



REF: MA 0003

- White
- Black
- Wood Effect
- Stone Effect
- Customized

U



U. INDOOR AND OUTDOOR VASE

Dimensions (approx.)

Length 50 to 200 cm

Width 40 to 60 cm

Height 40 to 60 cm

Custom measurements can also be made.

Weight

20 to 60 kg

Resistance

400kg/m²

Content

1 U vase

Materials

Fiberglass

Warranty

2 years

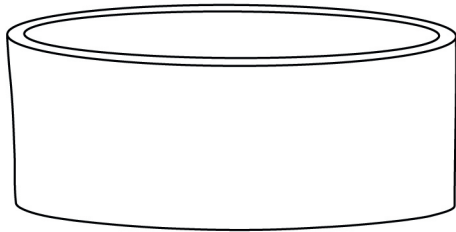
Vase resistant to all types of conditions. Its height allows the correct growth of any type of plant.



REF: MA 0004



Orbital



ORBITAL.
INDOOR AND
OUTDOOR VASE.

Dimensions (approx.)

Diameter 100, 150, 170, 190, 210 cm
Height 60 to 80 cm
Custom measurements can
also be made.

Weight

200 to 500 kg

Resistance

400kg/m²

Content

1 Orbital Vase

Materials

Fiberglass

Warranty

2 years

Vase resistant to all types of
conditions. Its height allows
the correct growth of any
type of plant.

REF: MA 0005



White



Black



Wood
Effect



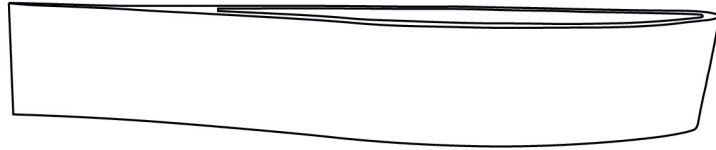
Stone
Effect



Customized



Mini Vase



MINI VASE.
INDOOR AND
OUTDOOR VASE

Dimensions (approx.)

Length 80 to 120 cm
Width 10 to 20 cm
Height 10 to 15 cm
Custom measurements can
also be made.

Weight

1 to 3 kg

Resistance

400kg/m²

Content

1 MINI VASE

Materials

Fiberglass

Warranty

2 years

Vase resistant to all types of
conditions. Its height allows
the correct growth of any
type of plant.

REF: MA 0006

- White
- Black
- Wood Effect
- Stone Effect
- Customized

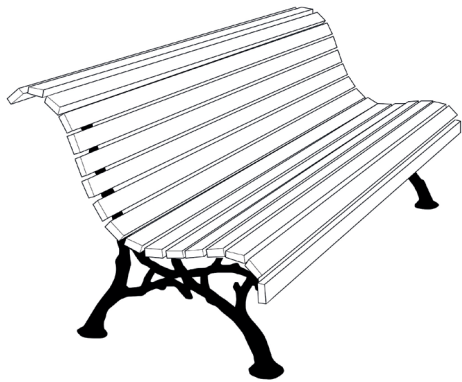




Benches

Dialogue

DIALOGUE. INDOOR AND OUTDOOR BENCH



Dimensions (approx.)
Length 80 to 220 cm
Width 6 to 12 cm
Height 3 cm
Custom measurements can also be made.

Weight
95 to 150kg

Resistance
400kg/m²

Content
1 Dialogue Bench

Materials
Fiberglass

Warranty
2 years

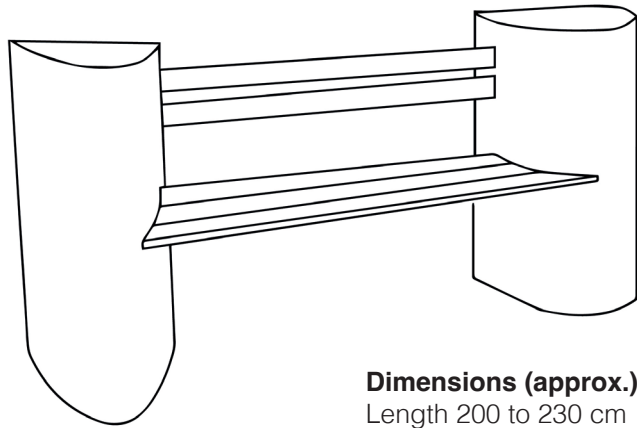
Fiberglass plates from the inside of the wind blade for mounting the bench.



REF: BA 0001

- White
- Black
- Wood Effect
- Stone Effect
- Customized

Goyo Pro



GOYO PRO. INDOOR AND OUTDOOR BENCH

Dimensions (approx.)

Length 200 to 230 cm

Width 60 to 70 cm

Height 80 cm

Custom measurements can also be made.

Weight

40kg

Resistance

400kg/m²

Content

1 Goyo Pro Bench

Materials

Fiberglass

Warranty

2 years

Bench for indoor or outdoor use,
with two towers on both sides
that have a space to put plants.

REF: BA 0002



White



Black



Wood
Effect



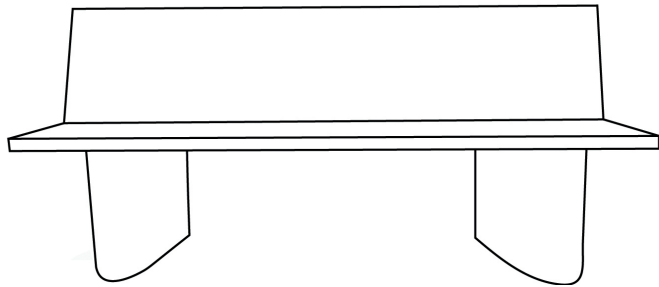
Stone
Effect



Customized



Natura



NATURA. INDOOR AND OUTDOOR BENCH

Dimensions (approx.)

Length 150 to 220 cm

Width 60 cm

Height 98 cm

Custom measurements can
also be made.

Weight

40 to 45kg

Resistance

400kg/m²

Content

1 Natura Bench

Materials

Fiberglass and Balsa Wood

Warranty

2 years

Functional bench made with
materials recovered from the
central part of the blade.



REF: BA 0003



White



Black



Wood
Effect

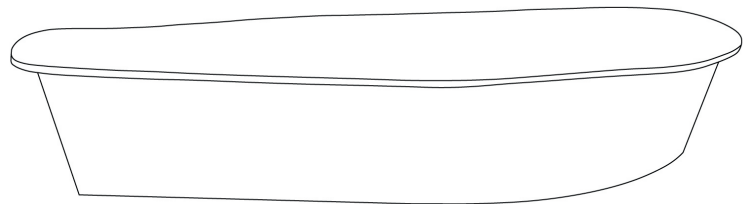


Stone
Effect



Customized

Lágrima



LÁGRIMA. INDOOR AND OUTDOOR BENCH

Dimensions (approx.)

Length 220 to 250 cm

Width 50 to 60 cm

Height 45 cm

Custom measurements can also be made.

Weight

40 kg

Resistance

400kg/m²

Content

1 Lágrima Bench

Materials

Fiberglass

Warranty

2 years

Bench with a modern design, made from materials recovered from the central part of the wind blade. It can be installed both indoors and outdoors.

REF: BA 0004



White



Black



Wood
Effect



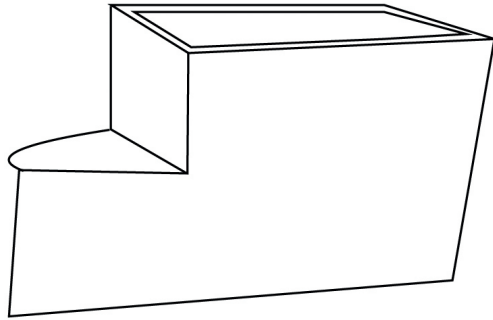
Stone
Effect



Customized



Eco



ECO. OUTDOOR BENCH

Dimensions (approx.)

Length 130 to 200 cm
Width 60 cm
Height 80 cm
Custom measurements can also be made.

Peso

50 to 60 kg

Resistance

400kg/m²

Content

1 Eco Bench

Materials

Fiberglass and Balsa Wood

Warranty

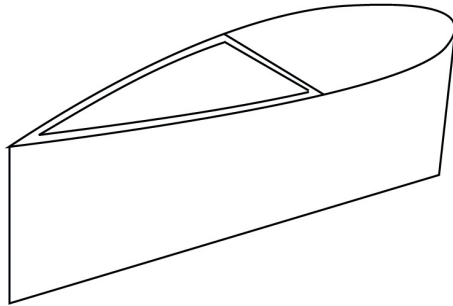
2 years

Multifunctional modular bench with flower box. The ideal solution for urban spaces that want to be unique.

REF: BA 0005



Flex



FLEX. OUTDOOR BENCH

Dimensions (approx.)

Length 200 to 220 cm

Width 60 cm

Height 45 cm

Custom measurements can also be made.

Weight

50 to 60 kg

Resistance

400kg/m²

Content

1 Flex Bench

Materials

Fiberglass and Balsa Wood

Warranty

2 years

The bench of creativity. It can be used in different ways, individually or in sets to form different shapes.

REF: BA 0006



White



Black



Wood
Effect



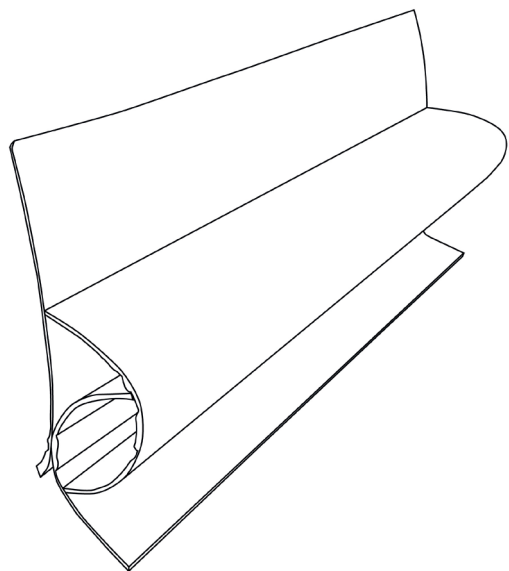
Stone
Effect



Customized



Curvi



CURVI. INDOOR AND OUTDOOR USE

Dimensions (approx.)

Length 200 cm
Width 45 cm
Height 82 cm
Custom measurements can
also be made.

Weight

60 to 75 kg

Resistance

400kg/m²

Content

1 CURVI BENCH

Materials

Fiberglass

Warranty

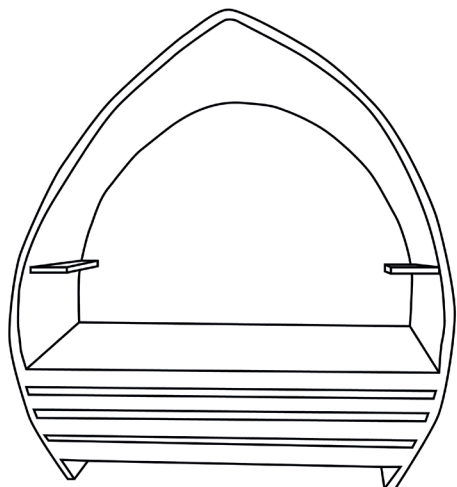
2 years

Functional bench made with
materials recovered from the
central part of the blade.
Easily adaptable to indoor and
outdoor environments.

REF: BA 0007



Capsair Dúo



DÚO. OUTDOOR AND INDOOR BENCH

Dimensions (approx.)

Length 150 to 160 cm
Width 80 cm
Altura 150 to 170 cm
Custom measurements can also be made.

Weight

150 kg

Resistance

400kg/m²

Content

1 DÚO BENCH

Materials

Fiberglass

Warranty

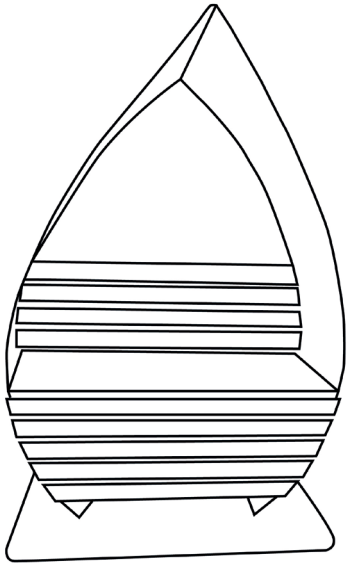
2 years

Designer bench made from materials recovered from the central part of a wind turbine blade. Easily adaptable to outdoor and indoor environments.

REF: BA 0008



Capsair Simple



SIMPLE.
OUTDOOR AND INDOOR
BENCH WITH BACKREST

Dimensions (approx.)

Length 150 to 160 cm
Width 45 cm
Height 150 to 170 cm
Custom measurements can
also be made.

Weight

150 kg

Resistance

400kg/m²

Content

1 SIMPLE BENCH

Materials

Fiberglass

Warranty

2 years

Bench with backrest and cover
to provide shade, made with
materials recovered from the
central part of the wind turbine
blade.



REF: BA 0009

- White
- Black
- Wood Effect
- Stone Effect
- Customized



Tables

Puntair



PUNTAIR. INDOOR AND OUTDOOR TABLE

Dimensions (approx.)

Length 180 to 350 cm

Width 70 to 80 cm

Height 80 cm

Custom measurements can also be made.

Weight

70 a 90 kg

Resistance

400kg/m²

Content

1 Puntair Table

Materials

Fiberglass

Warranty

2 years

Functional table made entirely of fiberglass. It has a careful aesthetic finish and is available in various sizes. With the possibility of customization: metal, wood or other materials.

REF: ME 0001



White



Black



Wood
Effect



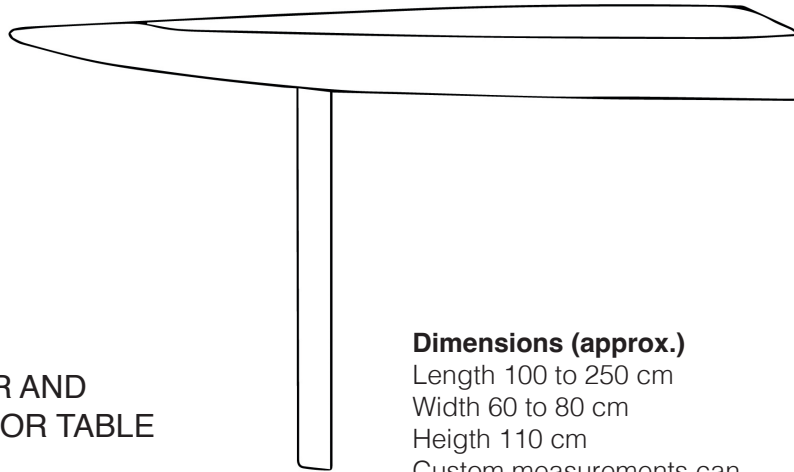
Stone
Effect



Customized



Bar



BAR. INDOOR AND OUTDOOR TABLE

Dimensions (approx.)

Length 100 to 250 cm
Width 60 to 80 cm
Height 110 cm
Custom measurements can also be made.

Weight

90 kg

Resistance

400kg/m²

Content

1 Bar Table

Materials

Fiberglass

Warranty

2 years

Functional table made entirely of fiberglass. It has a careful aesthetic finish and is available in various sizes.

REF: ME 0002



White



Black



Wood
Effect



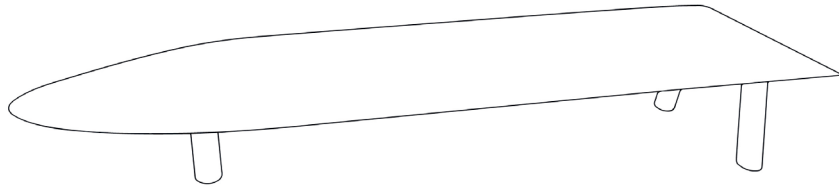
Stone
Effect



Customized



Hall



HALL. INDOOR TABLE

Dimensions (aprox.)

Length 200 to 300 cm

Width 100 cm

Height 50 cm

Custom measurements can also be made.

Weight

120 kg

Content

1 Hall Table

Materials

Fiberglass

Warranty

2 years

Functional table made entirely of fiberglass. It has a careful aesthetic finish and is available in various sizes.



REF: ME 0003



White



Black



Wood
Effect

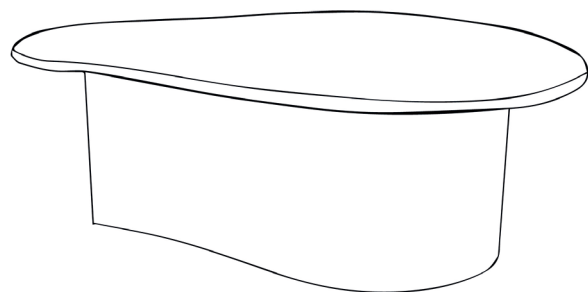


Stone
Effect



Customized

Lágrima



LÁGRIMA.
INDOOR AND
OUTDOOR TABLE.

Dimensions (approx.)

Length 250 to 270 cm
Width 100 to 130 cm
Height 80 cm
Custom measurements can
also be made.

Weight

90 to 120kg

Resistance

400kg/m²

Content

1 Lágrima Table

Materials

Fiberglass

Warranty

2 years

Functional table with materials
from inside of the wind blade.



REF: ME 0004



White



Black



Wood
Effect

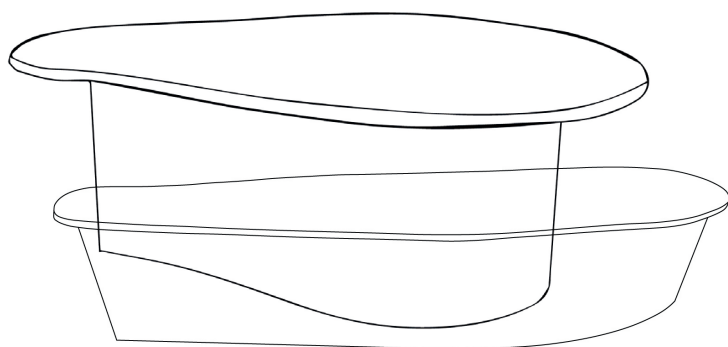


Stone
Effect



Customized

Lágrima Set



LÁGRIMA SET.
TABLE WITH 2 BENCHES
FOR INTERIOR AND
EXTERIOR

Dimensions (approx.)

Length 220 to 270 cm
Width 85 to 150 cm
Height 80 cm
Custom measurements can
also be made.

Weight

200kg

Resistance

400kg/m²

Content

1 Lágrima Table / 2 Lágrima Benches

Materials

Fiberglass

Warranty

2 years

Set of table and two benches of modern design, made with materials recovered from the central part of the wind blade. It can be installed both indoors and outdoors.

REF: ME 0005



White



Black



Wood
Effect



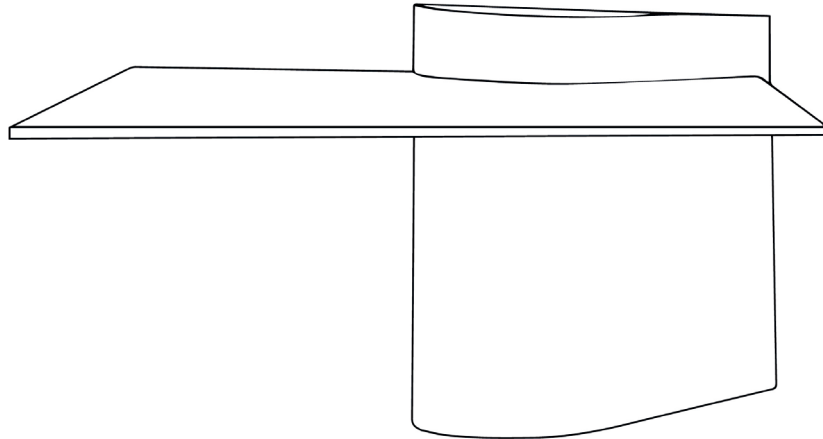
Stone
Effect



Customized



Júlio



JÚLIO. INDOOR TABLE

Dimensions (approx.)

Length 180 to 250 cm

Width 45 cm

Height 110 cm

Custom measurements can also be made.

Weigth

30 kg

Content

1 Júlio Table

Materials

Fiberglass and Balsa Wood

Warranty

2 years

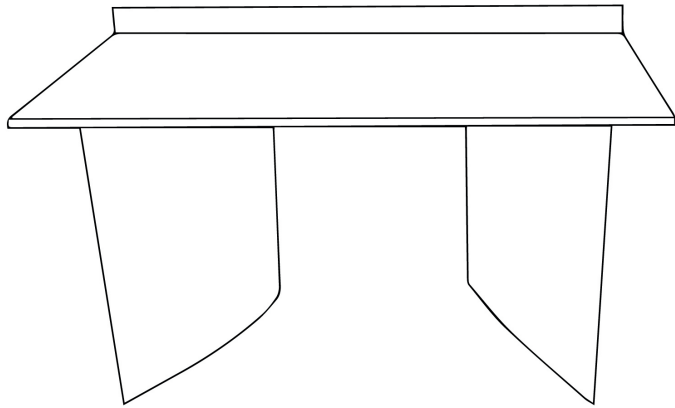
Functional table with wood from inside of the wind blade.



REF: ME 0006



Musa



MUSA. INDOOR TABLE

Dimensions (approx.)

Length 160 to 220 cm

Width 80 cm

Height 75 to 80 cm

Custom measurements can also be made.

Weight

50 kg

Content

1 Musa Table

Materials

Fiberglass and Balsa Wood

Warranty

2 years

Functional office desk with wooden top inside the wind blade.



REF: ME 0007



White



Black



Wood Effect

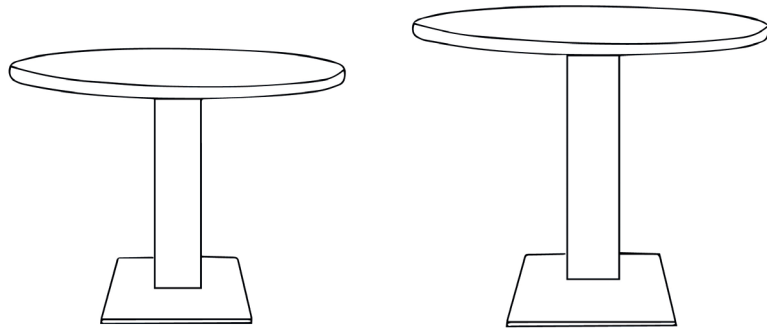


Stone Effect



Customized

Solaris



SOLARIS. INDOOR AND OUTDOOR TABLE

Functional office desk with wood from inside the wind blade.

Dimensions (approx.)

Diameter 90 cm
Height 80 to 110 cm
Custom measurements can also be made.

Weight

40 kg

Resistance

70kg/m²

Content

1 Solaris Table

Materials

Fiberglass and Balsa Wood

Warranty

2 años



REF: ME 0008



White



Black



Wood
Effect

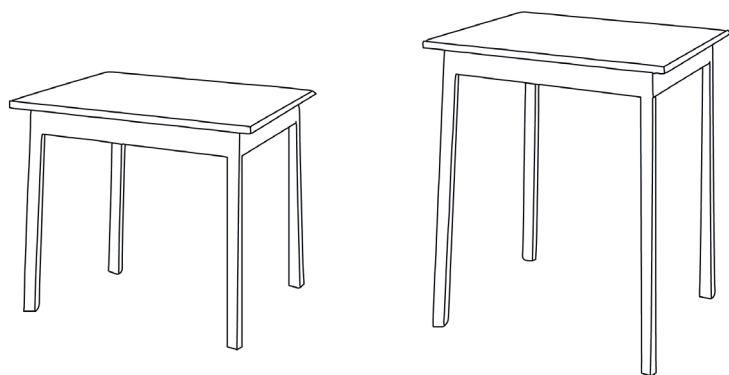


Stone
Effect



Customized

Four Seasons



FOUR SEASONS. INDOOR AND OUTDOOR TABLE

Dimensions (approx.)

Length 90 cm
Width 90 cm
Height 80 to 110 cm
Custom measurements can also be made.

Weight

30-35kg

Resistance

100kg/m²

Content

1 Four Seasons Table

Materials

Fiberglass and Balsa Wood

Warranty

2 years

Functional square table with a wooden top recovered from the inside of a wind blade.



REF: ME 0009



White



Black



Wood
Effect

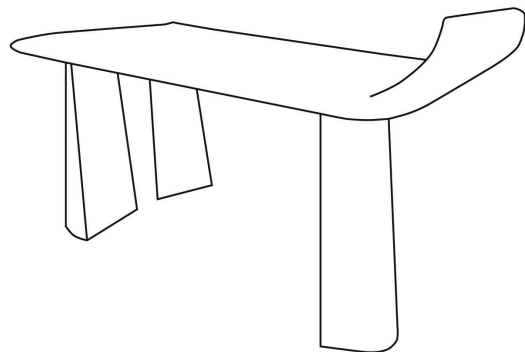


Stone
Effect



Customized

Enercon



ENERCON.
TABLE FOR INDOOR AND
OUTDOOR USE

Dimensions (approx.)

Length 180 to 300 cm aprox.

Width 70 to 100 cm

Height 80 to 110 cm

Custom measurements can
also be made.

Weight

90 kg

Resistance

400 kg

Content

1 Enercon Table

Materials

Fiberglass

Warranty

2 years

White table with a
modern and minimalist
design, with a sculptural
aesthetic, ideal for creating
creative spaces.

REF: ME 0010



White



Black



Wood
Effect



Stone
Effect



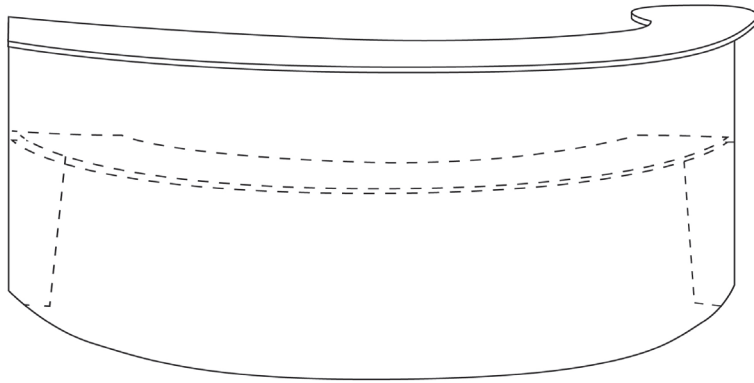
Customized





Counters

Blade



BLADE COUNTER. COUNTER FOR INDOOR OR OUTDOOR USE

Dimensions (approx.)

Length 260 to 370 cm aprox.

Width 80 to 100 cm

Height 110 cm

Custom measurements can also be made.

Weight

150kg

Content

1 Blade Counter

Materials

Fiberglass and Balsa Wood

Warranty

2 years

Counter with a modern design, made from materials recovered from the lower part of wind turbine blades.

REF: MO 0001



White



Black



Wood Effect



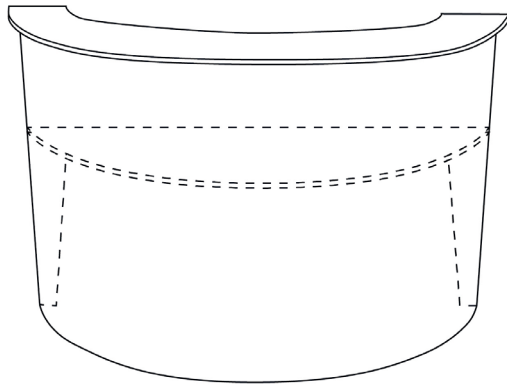
Stone Effect



Customized



Root



ROOT COUNTER.
COUNTER FOR INDOOR
OR OUTDOOR USE

Dimensions (approx.)

Length 160 cm
Width 65 cm
Height 110 cm
Custom measurements can
also be made.

Weight

220kg

Content

1 Root Counter

Materials

Fiberglass and Balsa Wood

Warranty

2 years

Counter with a modern design,
made from materials
recovered from the lower part
of wind turbine blades.



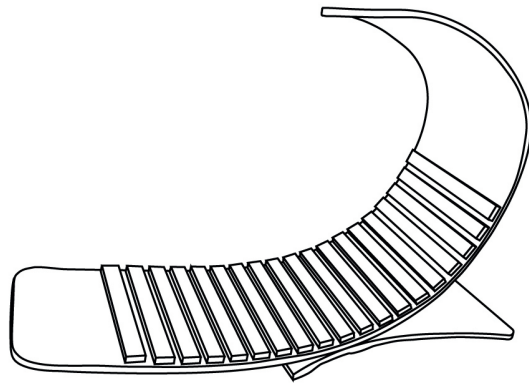
REF: MO 0002





Various

Hamacair



HAMACAIR.
INDOOR AND
OUTDOOR LOUNGER.

Dimensions (approx.)

Length 220 cm
Width 70 cm
Height 160 cm
Custom measurements can
also be made.

Weight

80 kg

Resistance

400kg/m²

Content

1 Hamacair

Materials

Fiberglass and Balsa Wood

Warranty

2 years

Comfortable and totally
sustainable lounge for indoor
and outdoor use, made from
materials recovered from the
widest part of the wind blade.



REF: VA 0001



White



Black



Wood
Effect



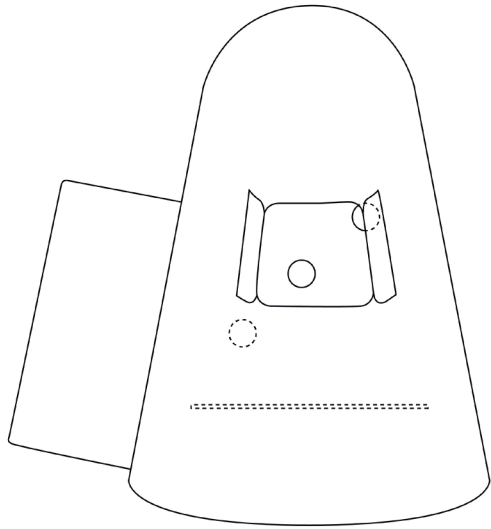
Stone
Effect



Customized

Odisseia

ODISSEIA. CAPSULE FOR VARIOUS USES



Dimensions (approx.)

Height 250 cm
Diameter 200 cm
Custom measurements can
also be made.

Weight

70kg

Content

1 Odisseia

Materials

Fiberglass

Warranty

2 years

Capsule for various uses,
ideal for children's games.

REF: VA 0002



White



Black



Wood
Effect



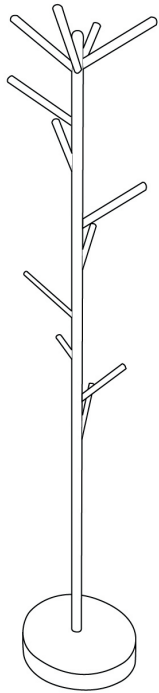
Stone
Effect



Customized



Standing Hanger



STANDING HANGER.
FOR INTERIOR
AND EXTERIOR.

Dimensions (approx.)

Length 30 cm

Width 30 cm

Height 160 cm

Custom measurements can
also be made.

Weight

7 kg

Content

1 STANDING HANGER

Materials

Fiberglass

Warranty

2 years

Standing hanger for
indoor or outdoor use,
design and comfort.



REF: VA 0003

○ White

● Black

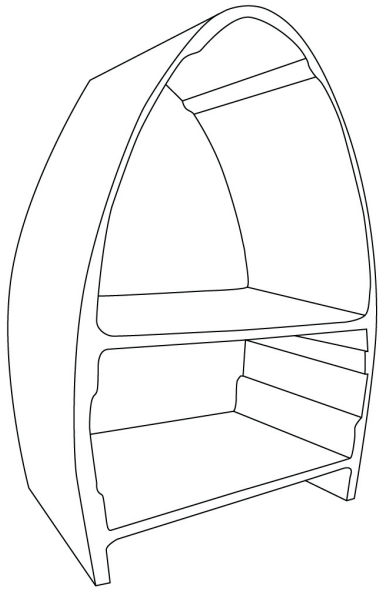
● Wood
Effect

● Stone
Effect

● Customized

Leñero

LEÑERO . FURNITURE FOR INDOOR AND OUTDOOR USE



Dimensions (approx.)

Length 75 to 140 cm
Width 50 to 80 cm
Height 100 to 160 cm
Custom measurements can
also be made.

Weight

90 kg

Resistance

400kg/m²

Content

1 FIREWOOD

Materials

Fiberglass

Warranty

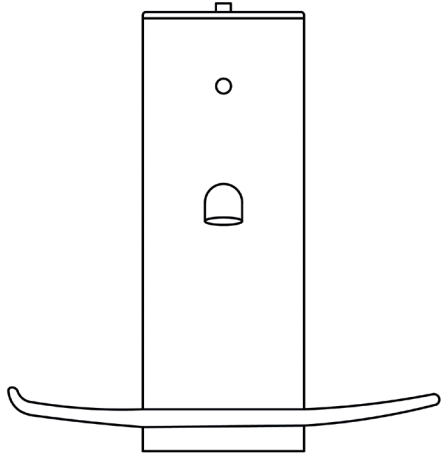
2 years

Functional furniture for
storing logs, made with materials
recovered from the central part
of the wind turbine blade.

REF: VA 0004



Cleamair



CLEAMAIR.

Freshwater footbath for use on beaches

Dimensions (approx.)

Length 100 to 130 cm

Width 60 to 80 cm

Height 100 to 110 cm

Custom measurements can also be made.

Weight

100kg

Resistance

400kg/m²

Content

1 washbasin

Materials

Fiberglass and carbon

Includes

Taps

Warranty

2 years

Footbaths to ensure the comfort of people using the sand and the correct use of fresh water



REF: VA 0005



White



Black



Wood Effect

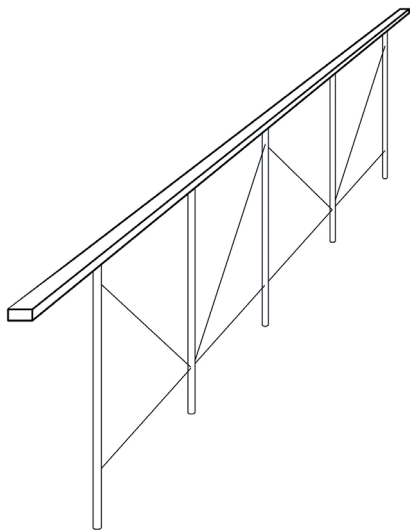


Stone Effect



Customized

Pasamanos



PASAMANOS. FOR OUTDOOR AND INDOOR USE

Dimensions (approx.)

Length 100 to 220 cm
Width 2 cm customized
Height 160 cm
Custom measurements can
also be made.

Weight

7 kg

Resistance

400kg/m²

Content

1 Handrail

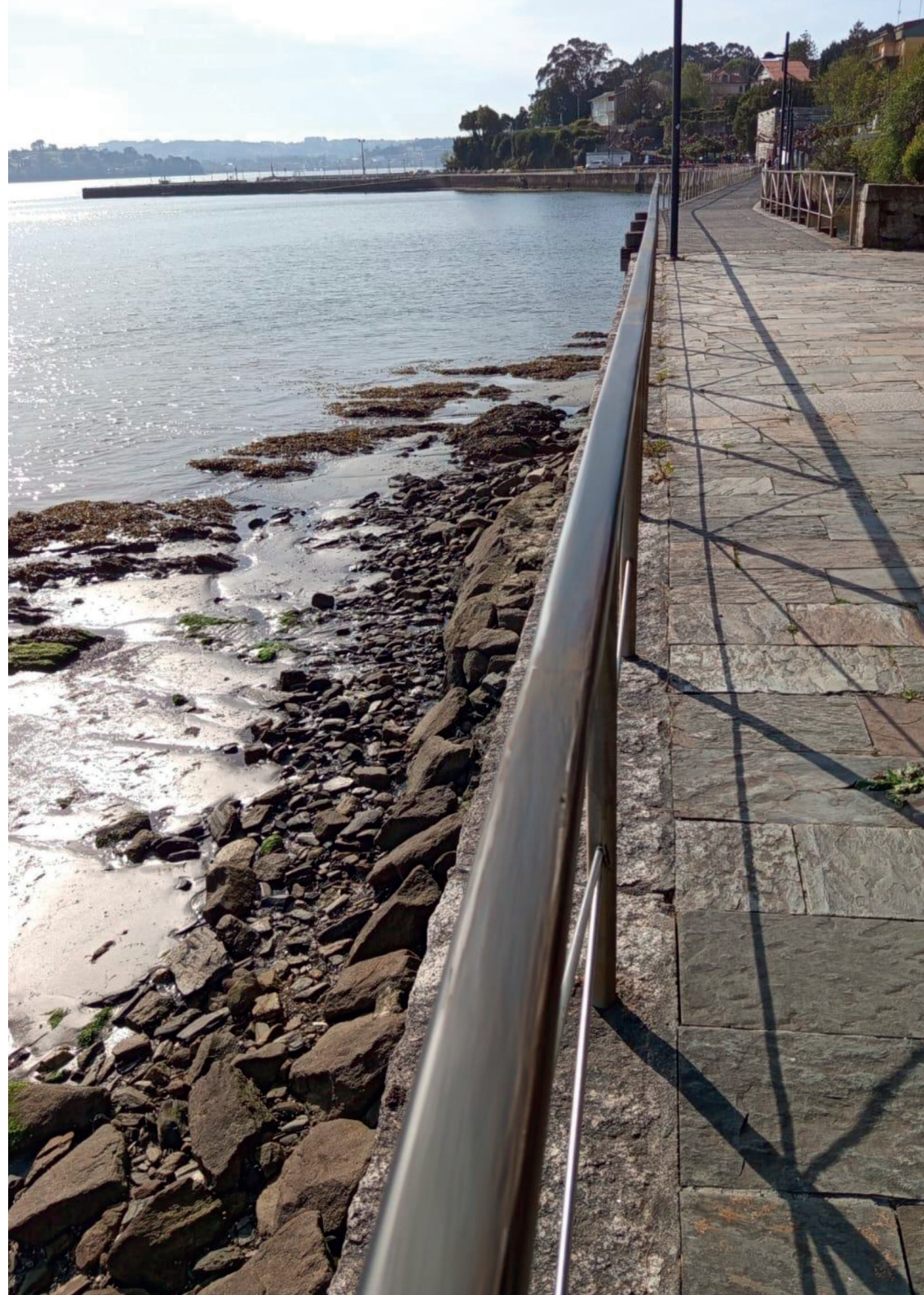
Materials

Fiberglass

Warranty

2 years

Handrails made from
high-quality materials
eliminate maintenance costs
and offer infinite durability.



REF: VA 0006



White



Black



Wood
Effect

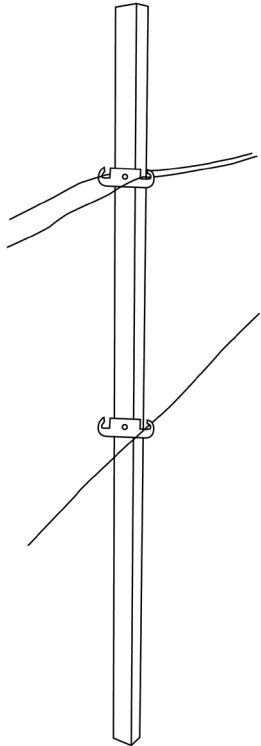


Stone
Effect



Customized

Estacas



ESTACAS. FOR OUTDOOR AND INDOOR USE

Dimensions (approx.)

Height up to approx. 230 cm
Whidth 3/3 ou 6/3 cm
Custom measurements can
also be made.

Weight

3 to 7 kg

Resistance

400kg/m²

Content

1 Stakes

Materials

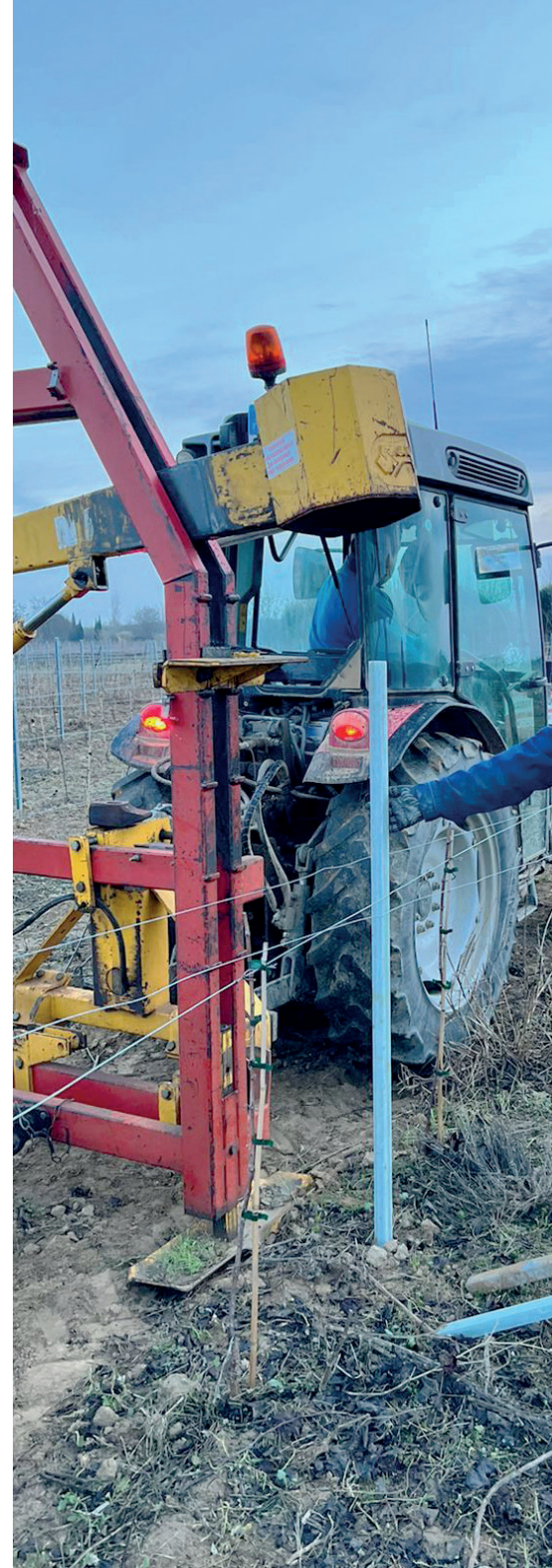
Fiberglass

Warranty

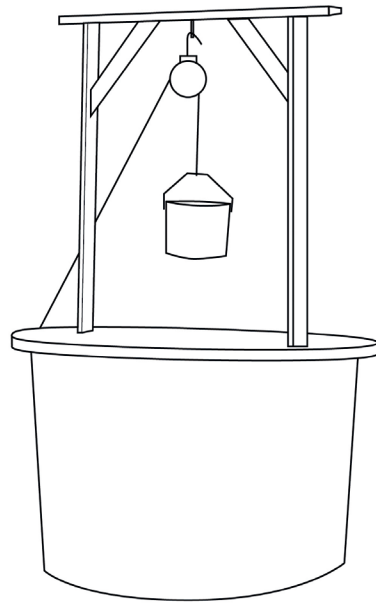
2 years

Designer stakes made
from recycled materials
from the central part of wind
turbines

REF: VA 0007



Pozo



WELL. FOR OUTDOOR USE

Dimensions (approx.)

Diameters 100 to 150 cm

Height 190 cm

Custom measurements can also be made.

Weight

200 kg

Resistance

400kg/m²

Contents

1 DECORATIVE WELL

Materials

Fiberglass

Warranty

2 years

Decorative well designed using materials recovered from the central part of a wind turbine blade.

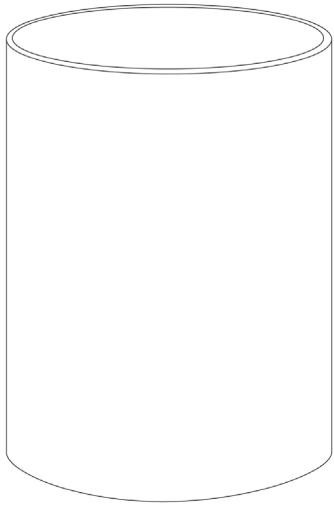


REF: VA 0008



Hub

HUB TANK. FOR OUTDOOR USE



Diameters and Capacities (approx.)

1 x 2,30	-1.080L
1,50 x 2,30	-1.290L
1,70 x 2,30	-1.660L
1,85 x 2,30	-1.950L
1,90 x 2,30	-2.080L
2,10 x 2,30	-2.640L

Contents

1 HUB Tank

Paint

White color with the option to customize the color

Warranty

2 years

Tank for water or any other type of liquid made with materials recovered from the wind turbine blade.

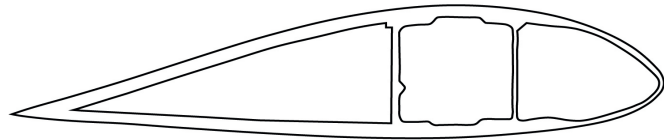
REF: VA 0009





Shelfs

Cleopatra



CLEOPATRA. INDOOR SHELF

Dimensions (approx.)

Length 80 to 130 cm

Width 10 to 25 cm

Height 10 to 20 cm

Custom measurements can also be made.

Weight

10 to 12 kg

Resistance

50kg/m²

Content

1 Cleopatra Shelf

Materials

Fiberglass

Warranty

2 years

Multifunctional bookcase for indoor environments. Its spacious design allows you to place everything you want and optimize space. You can choose the color of your choice.

REF: ES 0001



White



Black



Wood Effect



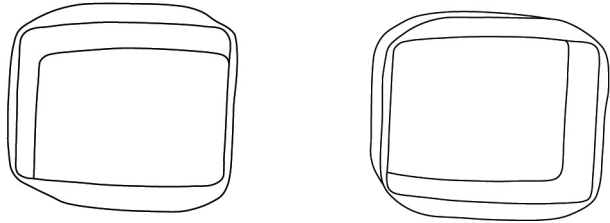
Stone Effect



Customized



Aurair



AURAIR. INDOOR SHELF

Dimensions (approx.)

From 30x30 to 80x80 cm
Custom measurements can also be made.

Weight

5 to 15 kg

Resistance

400kg/m²

Content

1 Aurair Shelf

Materials

Fiberglass and carbon fiber

Warranty

2 years

Modular shelf to create spaces with different shapes and designs.

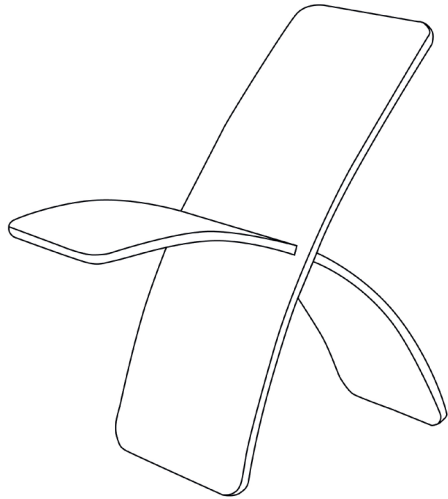
REF: ES 0002





Chairs

X



X. INDOOR AND OUTDOOR CHAIR

Dimensions (approx.)

Length 100 cm

Width 36 to 40 cm

Height 100 cm

Custom measurements can
also be made.

Weight

20 kg

Resistance

400kg/m²

Content

1 X Chair

Materials

Fiberglass

Warranty

2 years

Unique design chair.



REF: SI 0001

○ White

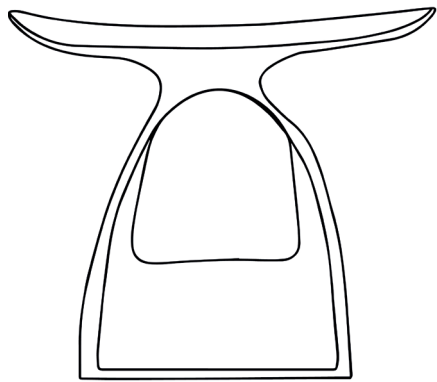
● Black

● Wood
Effect

● Stone
Effect

● Customized

Xclusive



XCLUSIVE. INDOOR AND OUTDOOR STOOL

Dimensions (approx.)

Length 45 to 60 cm

Width 30 cm

Height 45 cm

Custom measurements can
also be made.

Weight

12kg

Resistance

100kg/m²

Content

1 Xclusive Stool

Materials

Fiberglass and Carbon Fiber

Warranty

2 years

Unique design stool.

REF: SI 0002



White



Black



Wood
Effect



Stone
Effect



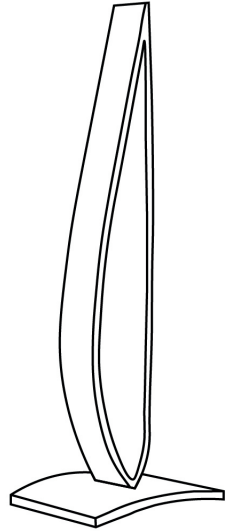
Customized





Lamps

Aletair



ALETAIR. INDOOR AND OUTDOOR LAMP

Dimensions (approx.)

Length 12 to 20 cm

Width 15 cm

Height 100 to 160 cm

Custom measurements can also be made.

Weight

15kg

Voltage

230V/ 50Hz

Content

1 Aletair Lamp

Materials

Fiberglass

Warranty

2 years

Column lamp for indoors and outdoors, shaped like wind blades and with a special weather-resistant finish.

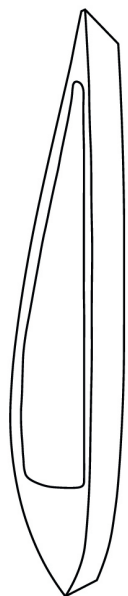
The built-in LED light has several colors, adjustable by remote control.

Suitable for outdoor use.

REF: LA 0001



Aletair wall



ALETAIR WALL. INDOOR AND OUTDOOR LAMP

Dimensions (approx.)

Length 12 to 20 cm

Width 15 cm

Height 100 to 160 cm

Custom measurements can also be made.

Weight

15kg

Voltage

230V/ 50Hz

Content

1 Aletair Wall Lamp

Materials

Fiberglass

Warranty

2 years

Column lamp for indoors and outdoors, shaped like wind blades and with a special weather-resistant finish. The built-in LED light has several colors, adjustable by remote control. Suitable for outdoor use.

REF: LA 0002



White



Black



Wood
Effect



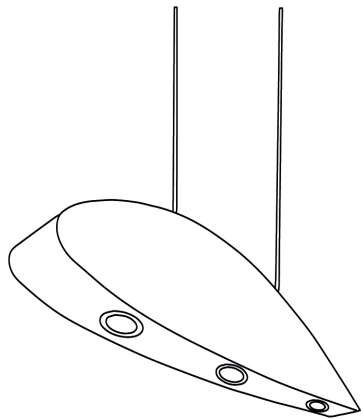
Stone
Effect



Customized



Apolo



APOLO. INDOOR LAMP

Dimensions (approx.)

Length 100 to 130 cm

Width 15 cm

Height 12 to 20 cm

Custom measurements can also be made.

Weight

15kg

Voltage

230V/ 50Hz

Content

1 Apolo Lamp

Materials

Fiberglass

Warranty

2 years

Designer lamp in the shape of a fin. For indoor use. The built-in LED light has several adjustable colors, which can be changed using a remote control to create the right lighting for every moment.

REF: LA 0003



White



Black



Wood
Effect



Stone
Effect



Customized







SOSTYLair



Polígono Industrial da Lagoa
Rúa das Cruzes nº 484
4950-850 Monção
PORTUGAL

+351 913 507 662

info@sostylair.com